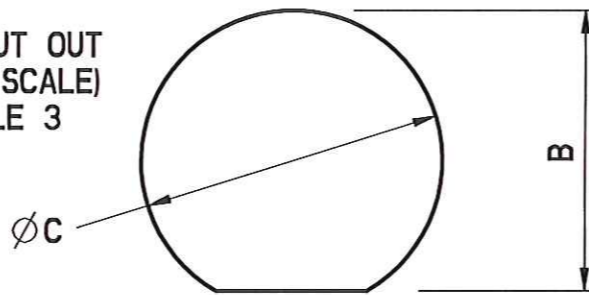
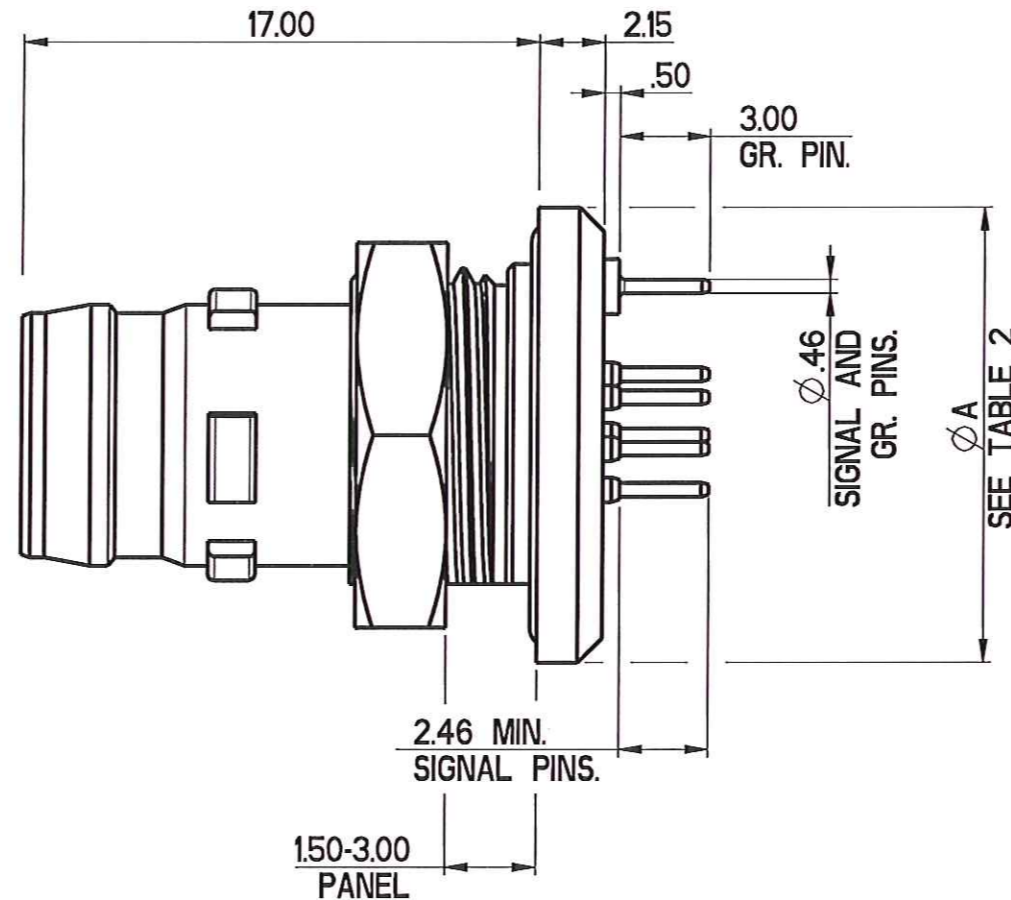
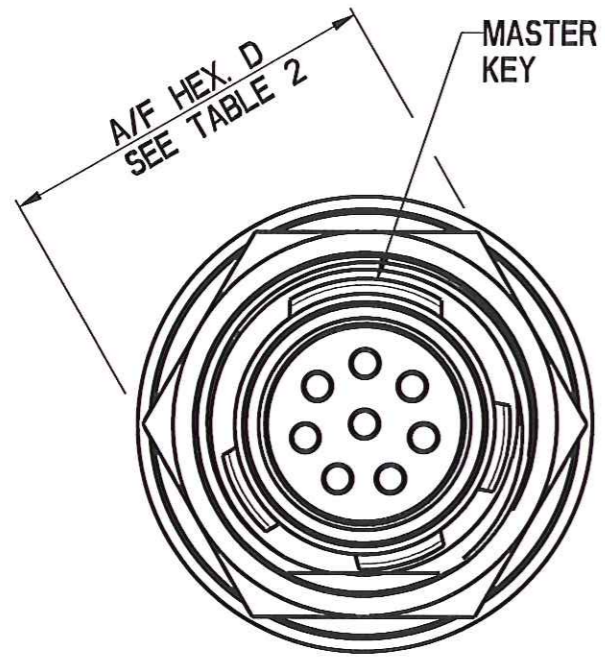


PANEL CUT OUT
(NOT TO SCALE)
SEE TABLE 3



CONTACT ARRANGEMENT	DIMENSION B	DIMENSION C
8 WAY	10.70mm	$\phi 11.60\text{mm}$
14 WAY	13.70mm	$\phi 14.60\text{mm}$
19 WAY	15.15mm	$\phi 16.10\text{mm}$



POLARISATION LETTER	COLOUR CODING PAINT BAND
N	BLUE
A	RED
B	GREEN
C	GREY
D	YELLOW

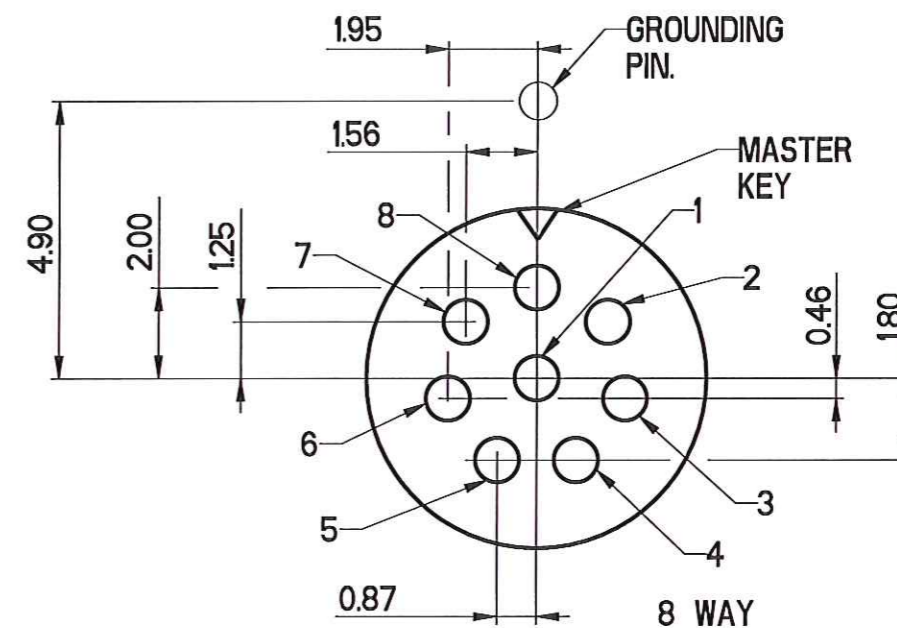
NOTE

1. DIMENSIONS ARE NOMINAL UNLESS STATED OTHERWISE.
2. MATERIALS / FINISH :-
 BODY PARTS.....ST. STEEL.....BLACK ELECTROLESS NICKEL OR ELECTROLESS NICKEL.
 INSULATORS.....HIGH TEMPERATURE THERMOPLASTIC.
 SEALS.....FLOUROSILICONE.
 CONTACTS.....COPPER ALLOY.....GOLD.
 O RING.....CONDUCTIVE RUBBER.
3. POLARISATION KEYING ARRANGEMENTS N,A,B,C & D.
3. 8 WAY VERSION SHOWN, OTHER PIN CONFIGURATIONS AVAILABLE, SEE SHEET 2.
4. TO SUIT 1.50mm (0.062") THICK PCB.

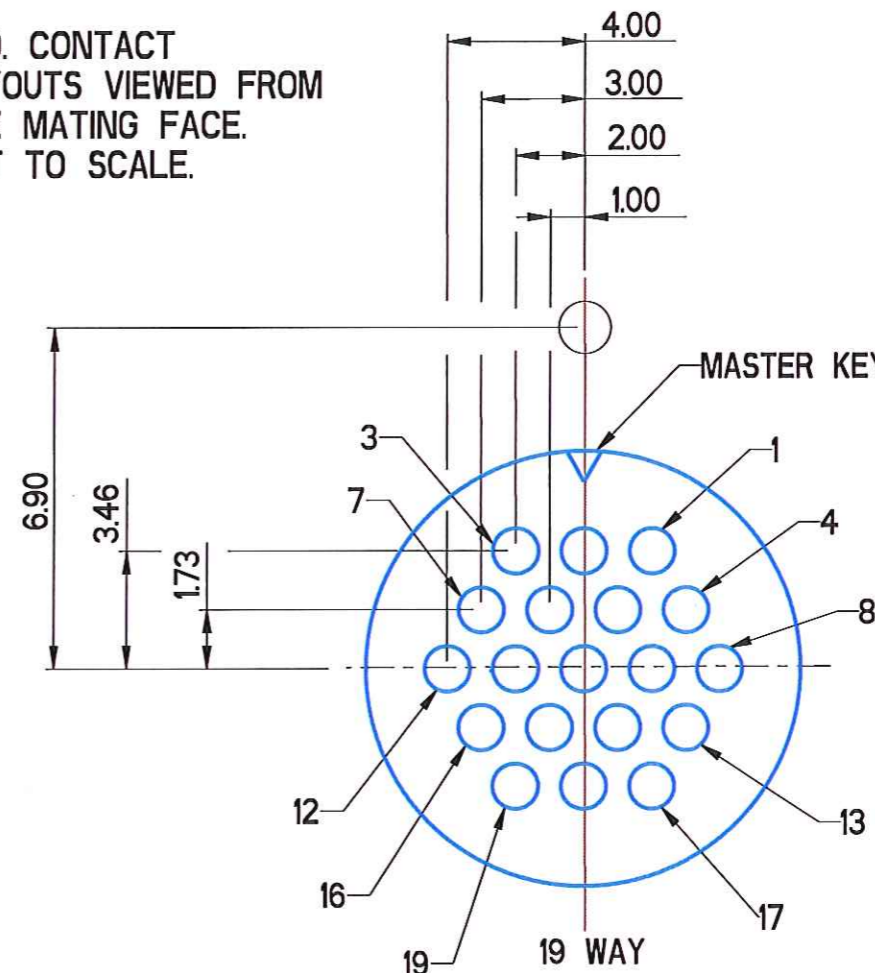
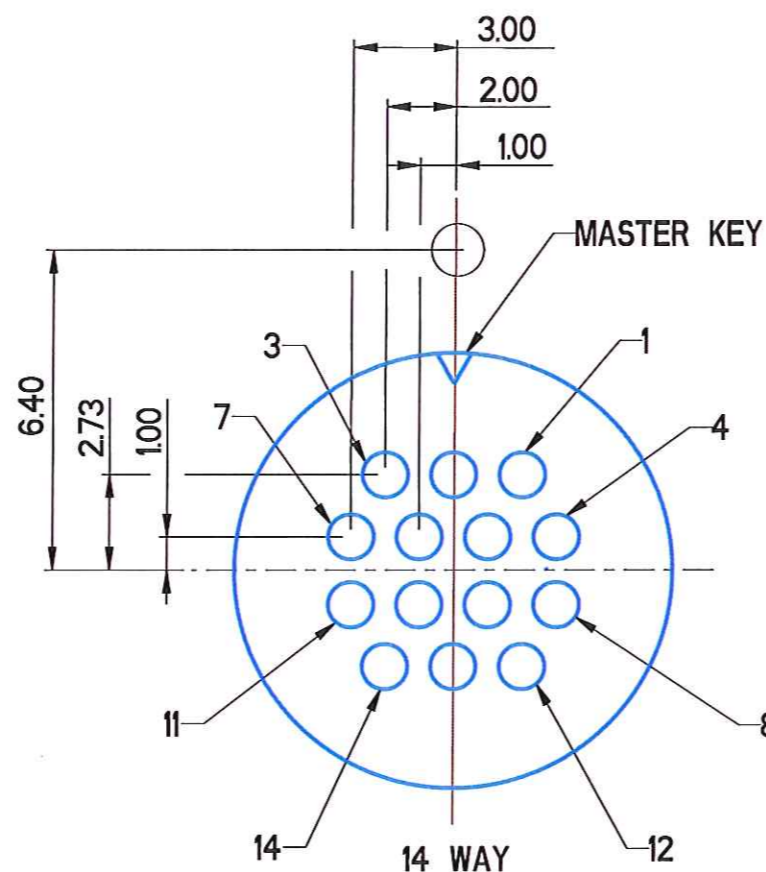
CONTACT ARRANGEMENT	DIMENSION A	A/F HEX. D
8	$\phi 15.00\text{mm}$	12.70
14	$\phi 18.00\text{mm}$	15.88
19	$\phi 19.50\text{mm}$	17.46

 ITT JAYS CLOSE, VIABLES INDUSTRIAL ESTATE, BASINGSTOKE UK RG22 4BA.	THIRD ANGLE PROJECTION DO NOT SCALE / IF IN DOUBT, ASK. LINEAR TOLERANCES ANGULAR TOLERANCES ALL DIMENSIONS ARE IN "TBD" UNLESS STATED	MATERIAL FINISH TREATMENT	Ref. MODEL DRAWN JS CHK'd JS APPR'd	CofG (x) CofG (y) CofG (z) SA VOL MASS	FIRST USED ON - NEMESIS JAM NUT RECEPTACLE PC TAIL CONTACTS - HS 8,14 & 19 WAY CUSTOMER USE DRAWING. CU76364Y (MODEL No. RCPT_8WAY_NEMESIS_HM_USA)
	This is issued in strict confidence on condition that it is not used as a basis for manufacture or sale and that it is not copied printed or disclosed to a third party either wholly or in part without the prior written consent of ITT Corporation © 24-Jan-12 All rights reserved.				

PART NUMBER	NOMENCLATURE	CONTACT CONFIGURATION
078381-8000	NEM-QTHSSB78PPNTB	8
078381-8001	NEM-QTHSSB78PPATB	8
078381-8002	NEM-QTHSSB78PPBTB	8
078381-8003	NEM-QTHSSB78PPCTB	8
078381-8004	NEM-QTHSSB78PPDTB	8
078339-8000	NEM-QTHSSB714PPNTB	14
078339-8001	NEM-QTHSSB714PPATB	14
078339-8002	NEM-QTHSSB714PPBTB	14
078339-8003	NEM-QTHSSB714PPCTB	14
078339-8004	NEM-QTHSSB714PPDTB	14
078342-8000	NEM-QTHSSB719PPNTB	19
078342-8001	NEM-QTHSSB719PPATB	19
078342-8002	NEM-QTHSSB719PPBTB	19
078342-8003	NEM-QTHSSB719PPCTB	19
078342-8004	NEM-QTHSSB719PPDTB	19



STD. CONTACT LAYOUTS VIEWED FROM THE MATING FACE. NOT TO SCALE.



<p>ITT JAYS CLOSE, VIABLES INDUSTRIAL ESTATE, BASINGSTOKE UK RG22 4BA.</p>	THIRD ANGLE PROJECTION	DO NOT SCALE / IF IN DOUBT, ASK.	MATERIAL	Ref.	CofG (x)	FIRST USED ON - NEMESIS JAMNUT RECEPTACLE PC TAIL CONTACTS - HS 8,14 & 19 WAY CUSTOMER USE DRAWING. CU76364Y (MODEL No. RCPT_8WAY_NEMESIS_HM_USA)	
	LINEAR TOLERANCES	GENERAL	FINISH	MODEL	CofG (y)		
	ANGULAR TOLERANCES	UNLESS OTHERWISE STATED REMOVE BURRS AND BREAK SHARP EDGES MAX.	TREATMENT	DRAWN JS	CofG (z)		SA
	ALL DIMENSIONS ARE IN "TBD" UNLESS STATED	SURFACE FINISH ✓		CHK'd JS			()
SEE SHEET 1	JS	22-Jan-13		APPR'd	MASS	()	
REV ECR DETAILS	DRAWN	DATE	CHK'd	This is issued in strict confidence on condition that it is not used as a basis for manufacture or sale and that it is not copied printed or disclosed to a third party either wholly or in part without the prior written consent of ITT Corporation © 25-Jan-12 All rights reserved.			

A
B
C
D
E