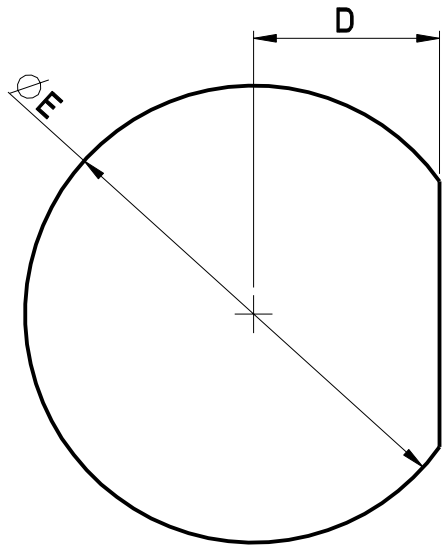


Contact Arrangement	Dimension					Calculated Mass (grams)
	A ±0.10	∅B	∅C	D	∅E	
7 way	6.85	21.00	8.57	6.67	17.40	13.141
14 way	8.34	23.75	11.45	8.20	20.15	16.308
19 way	8.85	25.00	12.31	8.70	21.40	17.412



RECOMMENDED NOMINAL PANEL CUT-OUT DETAILS

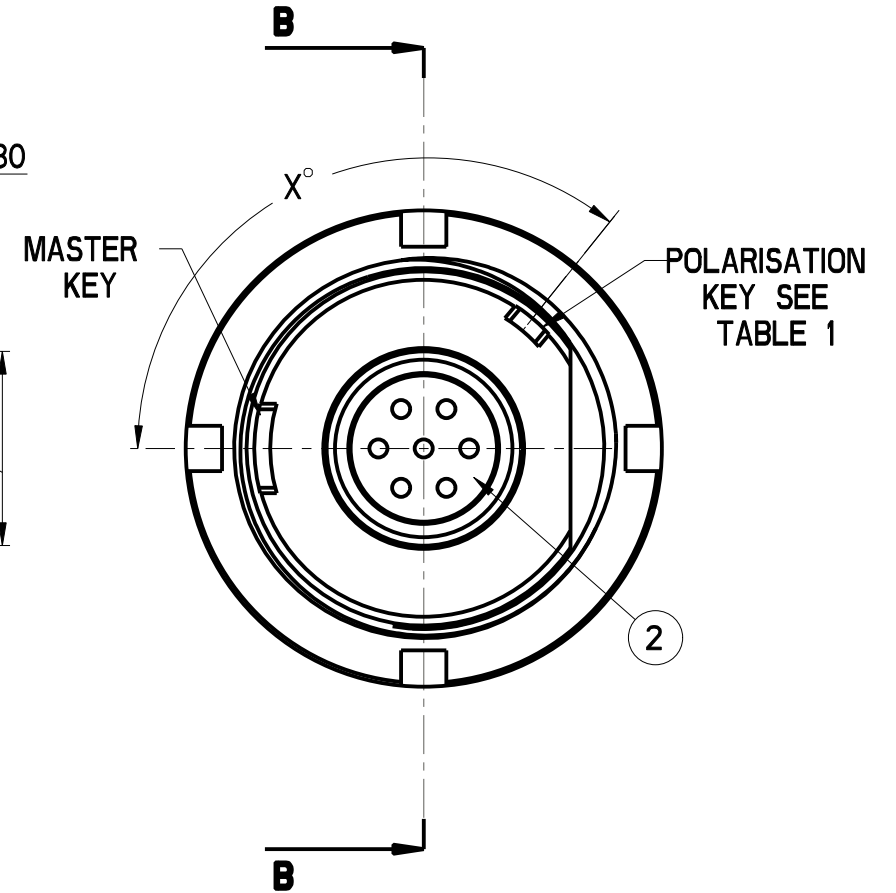
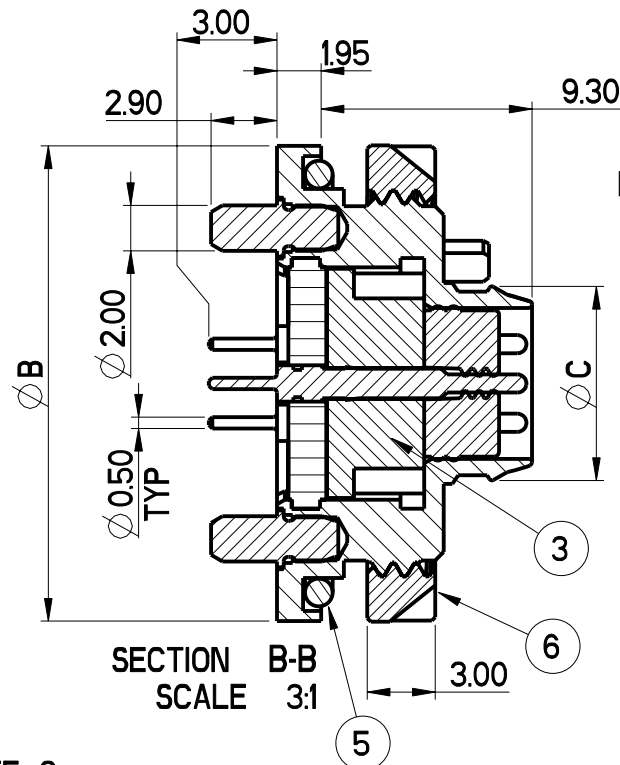
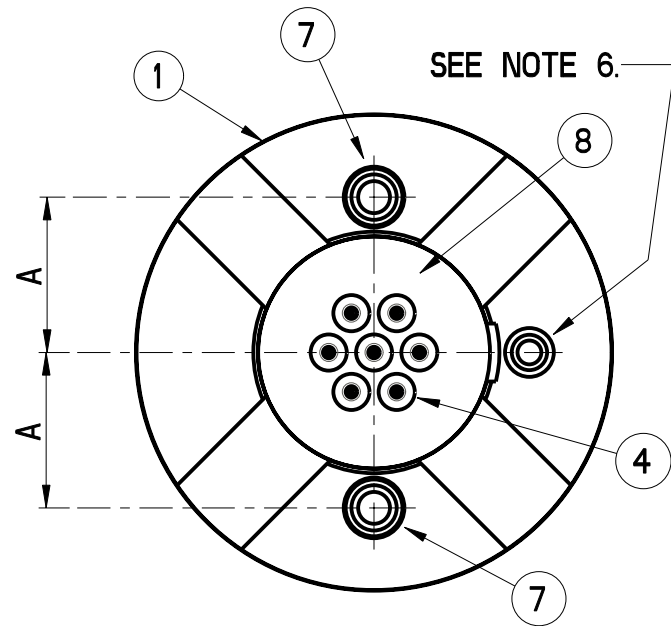
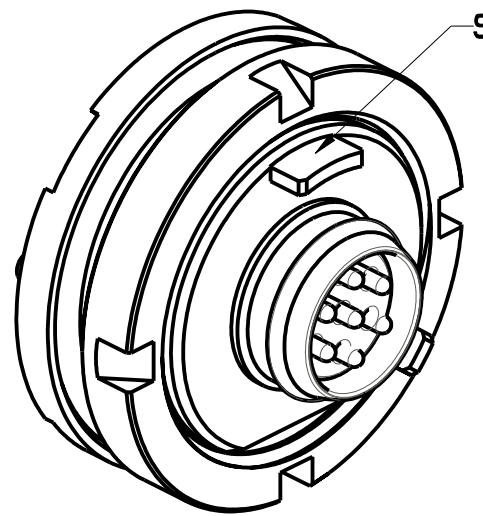


TABLE 1 - SEE NOTE 3

POLARISATION	X°	COLOUR CODE
N	130	DARK BLUE
A	117	RED
B	104	GREEN
C	91	GREY
D	230	YELLOW



SCALE 3:1

Item	Description	Qty	Material	Finish	Notes
8	POTTING	A/R	EPOXY	NATURAL	
7	PIN, LOCATION	2	COPPER ALLOY	GOLD FLASH	
6	NUT, JAM	1	STAINLESS STEEL	BLACK ELECTROLESS NICKEL	
5	O RING	1	SILICONE	NATURAL	CONDUCTIVE
4	CONTACT, POGO	A/R	COPPER ALLOY	GOLD	
3	INSULATOR	1	POLYESTER	NATURAL	NOT SHOWN
2	SEAL, INTERFACIAL	1	FLOUROSILICONE	NATURAL	
1	SHELL	1	STAINLESS STEEL	BLACK ELECTROLESS NICKEL OR ELECTROLESS NICKEL	

- NOTES:-
- ALL DIMENSIONS ARE NOMINAL UNLESS OTHERWISE STATED.
 - DIMENSIONS ARE IN MILLIMETRES.
 - 7, 14 & 19 WAY LAYOUTS EACH HAVE UNIQUE POLARISATION ARRANGEMENTS TO PREVENT MISMATCHING. COLOUR CODED PAINT SURFACE TO IDENTIFY DIFFERENT POLARISATION LAYOUTS (SEE TABLE 1).
 - CAVITY IDENT NUMBERS (SEE SHEET 2) ARE SHOWN FOR REFERENCE ONLY AND DO NOT APPEAR ON CONNECTOR.
 - VIEWS DEPICT THE 7-WAY VARIANT, POLARISATION N & SHELL STYLE 7.
 - ON THE BLACK VARIANTS LITTLE OR NO BLACK PLATING WILL APPEAR IN THIS HOLE.

REV	DESCRIPTION	DRAWN	DATE	CHK'd
E	PRODUCTION RELEASE BASIO518. RE-DRAWN FREE OF FAMILY TABLES.	DRP	14-Jun-2012	
D	DRAINAGE SLOTS AND LOCATION PINS ADDED.	DRP	9-Jun-2012	
C	E.F.G.U CODING VARIANTS REMOVED. DIM 3.00 WAS 2.90 (C4).	JS	09-NOV-11	
B	PANEL CUT-OUT DIMENSIONS MODIFIED	LNT	13-Sep-11	
A	PRELIMINARY RELEASE	LNT	05-Jul-11	

THIRD ANGLE PROJECTION

DO NOT SCALE / IF IN DOUBT, ASK.

LINEAR TOLERANCES
 X = ±0.4
 X.X = ±0.2
 X.XX = ±0.1

ANGULAR TOLERANCES
 X = ±2°
 X.X = ±0.5°

ALL DIMENSIONS ARE IN "mm" UNLESS STATED

ITC
 JAYS CLOSE,
 VIABLES INDUSTRIAL ESTATE,
 BASINGSTOKE UK. RG22 4BA.

Ref. MODEL EMCAD 13-Apr-2011
 DRAWN EMCAD 13-Apr-2011
 CHK'd
 APPR'd

CofG (x)
 CofG (y)
 CofG (z)
 MASS

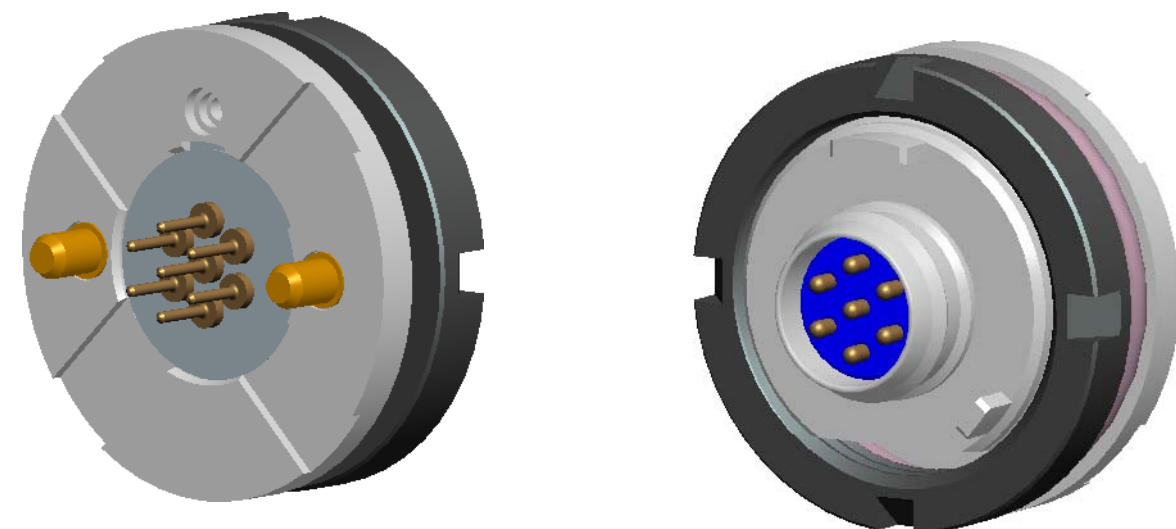
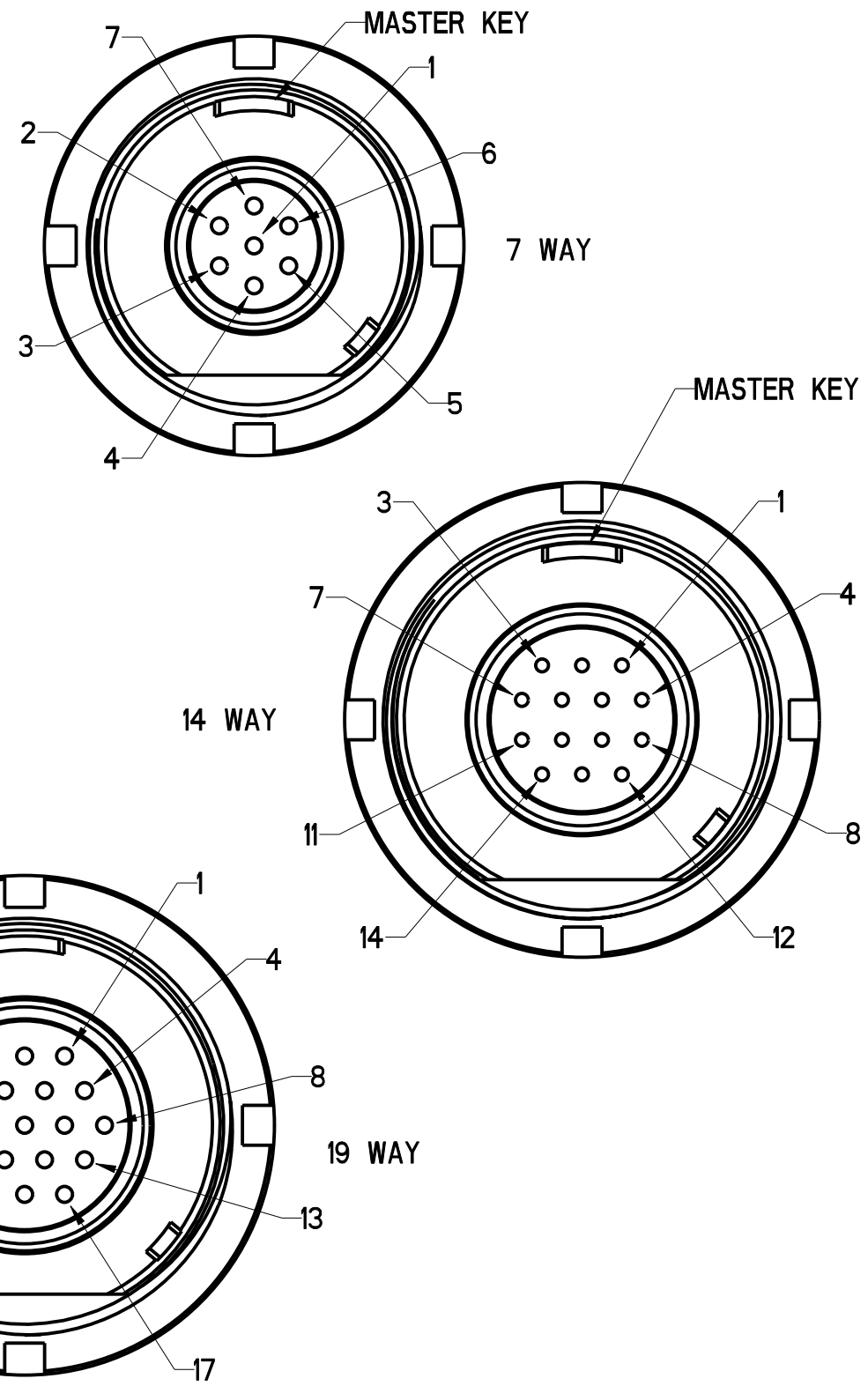
FIRST USED ON -
 CUSTOMER USE DRAWING
 NEMESIS SPACE SAVER RECEPTACLE. 7, 14 & 19
 WAY VARIANTS WITH LOCATION PINS.
CU76286Y
 (MODEL No. 7Way-Pt-Assy)

SCALE 3:1 SHEET 1 of 2

This is issued in strict confidence on condition that it is not used as a basis for manufacture or sale and that it is not copied printed or disclosed to a third party either wholly or in part without the prior written consent of ITT Corporation © 18-Apr-11 All rights reserved.

			CONNECTOR ORDERING NOMENCLATURE							
TITLE	DESIGNATOR	DESCRIPTION	NEM-SS	SR	7	14	PG	N	T	B
PRODUCT	NEM-SS	NEMESIS								
COUPLING STYLE	SR	SNAP-ON/RIPAWAY								
SHELL STYLE	7	JAM NUT RECEPTACLE								
CONTACT ARRANGEMENT	7									
	14									
	19									
CONTACT TYPE	PG	POGO CONTACT								
POLARISATION POSITIONS	N	NORMAL								
	A,B,C,D,	ALTERNATIVES								
TERMINATION TYPE	T	STRAIGHT PCB TAILS								
	L	STRAIGHT PC TAILS WITH LOCATION PINS								
FINISH CODE	B	BLACK ELECTROLESS NICKEL								
	N	ELECTROLESS NICKEL								

STANDARD CONTACT LAYOUTS VIEWED FROM THE MATING FACE



<p>ITT JAYS CLOSE, VIABLES INDUSTRIAL ESTATE, BASINGSTOKE UK. RG22 4BA.</p>	THIRD ANGLE PROJECTION	DO NOT SCALE / IF IN DOUBT, ASK.	Ref.	FIRST USED ON -
		<p>LINEAR TOLERANCES</p> <p>X = ±0.4</p> <p>X.X = ±0.2</p> <p>X.XX = ±0.1</p>	MODEL EMCAD 13-Apr-2011	CofG (x)
		<p>ANGULAR TOLERANCES</p> <p>X = ±2°</p> <p>X.X = ±0.5°</p>	DRAWN EMCAD 13-Apr-2011	CofG (y)
		ALL DIMENSIONS ARE IN "mm" UNLESS STATED	CHK'd	CofG (z)
			APPR'd	MASS
				<p>CUSTOMER USE DRAWING</p> <p>NEMESIS SPACE SAVER RECEPTACLE. 7, 14 & 19 WAY VARIANTS WITH LOCATION PINS.</p> <p>CU76286Y</p> <p>(MODEL No. 7Way-Pt-Assy)</p>
				SCALE 3:1 SHEET 2 of 2