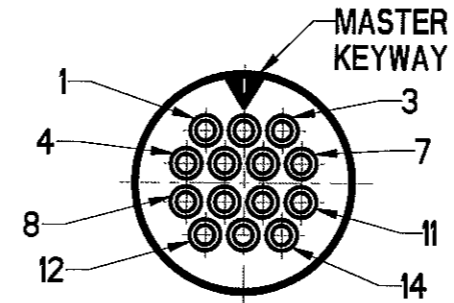
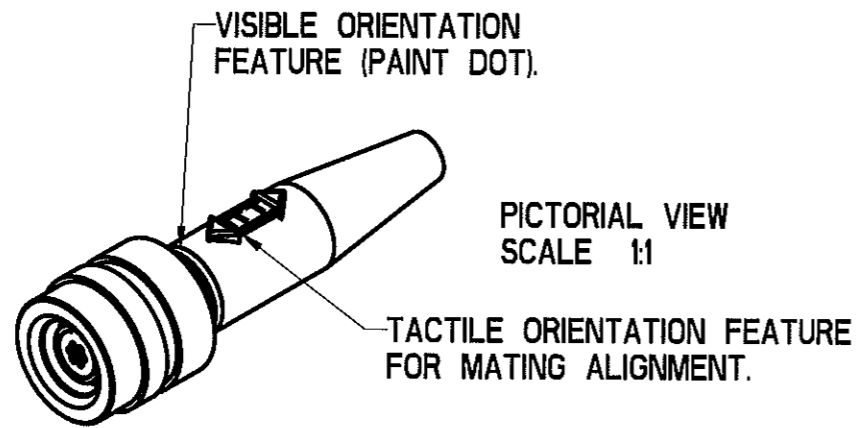
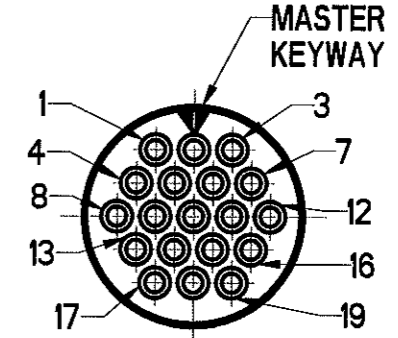


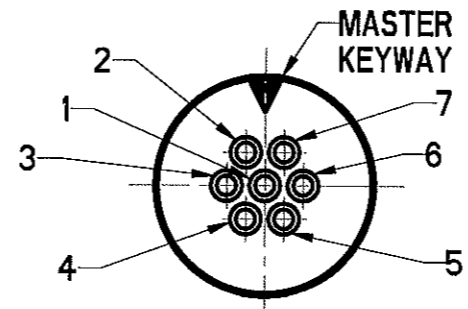
7 WAY VERSION SHOWN



14 WAY STANDARD CONTACT LAYOUT VIEWED FROM MATING FACE. SCALE 4:1



19 WAY STANDARD CONTACT LAYOUT VIEWED FROM THE MATING FACE. SCALE 4:1



7 WAY STANDARD CONTACT LAYOUT VIEWED FROM THE MATING FACE. SCALE 4:1

POLARISATION LETTER	COLOUR CODING PAINT BAND
N	BLUE
A	RED
B	GREEN
C	GREY
D	YELLOW

- NOTES:-
1. ALL DIMENSIONS ARE NOMINAL UNLESS STATED OTHERWISE.
  2. DIMENSIONS ARE IN MILLIMETRES.
  3. THESE DIMENSIONS TO BE DETERMINED BY CUSTOMER CABLE REQUIREMENTS.
  4. POLARISATION KEYING ARRANGEMENTS IN N, A, B, C, & D.
  5. CRIMP CONTACTS ACCEPT 24 TO 32 AWG SOLID OR STRANDED WIRE.
  6. SHELL FINISHES - RoHS COMPLIANT.  
BLACK ELECTROLESS NICKEL, 500 HOURS SALT SPRAY RESISTANT.  
CONTACTS - GOLD.
  7. IP67 SEALED.

<p>3rd ANGLE PROJECTION</p>	Material	Drawing Tolerance Unless Otherwise Stated		Dimensions are in MM	Total Vol : 0.000 MM <sup>3</sup> Total Surf Area : MM <sup>2</sup> Calculated Mass : Not Available grams Title CUSTOMER USE DRAWING. PLUG - NEMESIS. PUSH PULL COUPLING, 7, 14 & 19 WAY WATER TIGHT.
	Finish	Metric	Imperial	Angles	
Unless Otherwise Stated Remove Burrs and Break Sharp Edges 0.13 mm max.	Treatment	X ±0.40 X or XX ±0.20 XX ±0.20 XXX ±0.10 XXX ±0.10 XXXX ±0.05	X° ±2° XX° ±0.5°	✓	Drg No. CU76271Y Original Scale 3:1 Sheet 1 of 1
Ref WAS RD090501-204	DO NOT SCALE / IF IN DOUBT ASK	This is issued in strict confidence on condition that it is not used as a basis for manufacture or sale and that it is not copied printed or disclosed to a third party either wholly or in part without the prior written consent of ITT Corporation © 13-Aug-09 All rights reserved.		JAYS CLOSE, VIABLES INDUSTRIAL ESTATE, BASINGSTOKE UK RG22 4BA	

A	BAS10363	JS	08-JAN-11	JS
1	PRELIMINARY RELEASE	JS	12-JAN-11	---
Rev	ECO / DCN Details	Drawn	Date	Chk'd