

D	YELLOW
C	GREY
B	GREEN
A	RED
N	BLUE
KEYING ARRANGEMENT	COLOUR CODING

TABLE 2

- NOTES:
1. ALL DIMENSIONS ARE NOMINAL UNLESS OTHERWISE STATED.
  2. DIMENSIONS ARE INCHES (mm).
  3. THESE DIMENSIONS TO BE DETERMINED BY CUSTOMER CABLE REQUIREMENTS.
  4. 7, 14 & 19 WAY LAYOUTS EACH HAVE UNIQUE KEYING ARRANGEMENTS (N, A, B, C & D) TO PREVENT MISMATING.
  5. COLOUR CODED PAINT DOT IN ACCORDANCE TO TABLE 2.
  6. CAVITY IDENT NUMBERS (SEE SHEET 2) ARE SHOWN FOR REFERENCE ONLY AND DO NOT APPEAR ON THE CONNECTOR.
  7. CONNECTOR VIEWS DEPICT THE 19 WAY VARIANT.
  8. CONTACTS ARE SOLDER BUCKET STYLE AND WILL ACCEPT 24 TO 32 AWG SOLID OR STRANDED WIRE.
  9. INTERNAL CRIMP FERRULE PROVIDES A BRAID TRAP TERMINATION.
  10. CUSTOMERS MAY SPECIFY THEIR OWN CABLE ALTERNATIVELY ITT CAN PROVIDE STANDARD SHIELDED CABLE (DETAILS AVAILABLE ON REQUEST).
  11. BLACK ELECTROLESS NICKEL (B) OR ELECTROLESS NICKEL (N).

ITEM	DESCRIPTION	QTY	MATERIAL	FINISH	NOTES
1	BARREL, COUPLING	1	STAINLESS STEEL	SEE NOTE 11	
2	SEAL, INTERFACIAL	1	FLOUROSILICONE	NATURAL	
3	INSULATOR, FRONT	1	HIGH TEMP. PLASTIC	NATURAL	NOT SHOWN
4	SEAL, GROMMET	1	FLOUROSILICONE	NATURAL	NOT SHOWN
5	INSULATOR, REAR	1	HIGH TEMP. PLASTIC	NATURAL	NOT SHOWN
6	CONTACT SOCKET.	A/R	COPPER ALLOY	GOLD OVER NICKEL	
7	SNAP RING	1	SPRING STEEL	PHOSPHATE & OIL	NOT SHOWN
8	FERRULE	1	COPPER ALLOY	ELECTROLESS NICKEL	NOT SHOWN
9					
10	BOOT, OVERMOULDING	1	SEE NOTE 11		
11	CABLE	1	SEE NOTE 10		

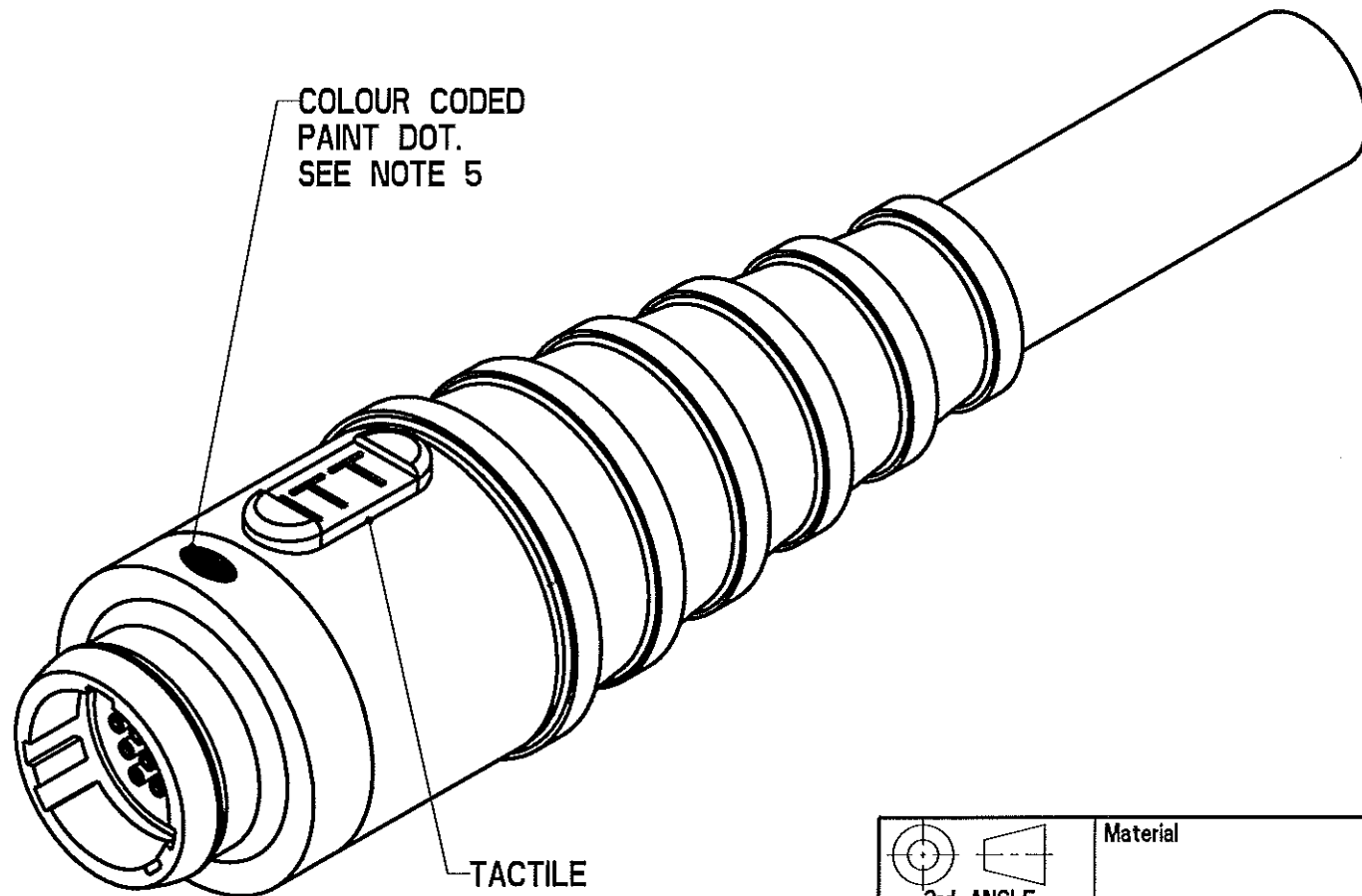
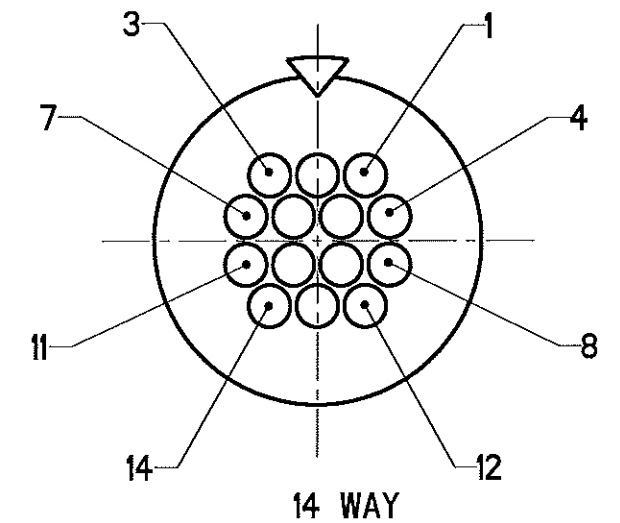
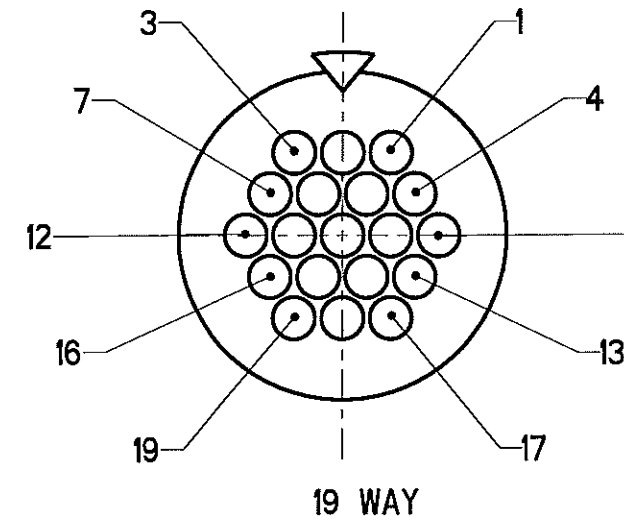
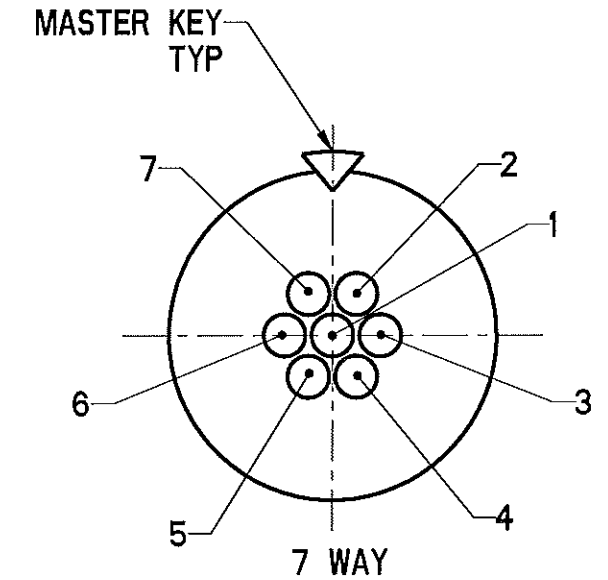
<p>3rd ANGLE PROJECTION</p>	Material	Drawing Tolerance Unless Otherwise Stated		Dimensions are in INCHES (mm) Surface Finish ✓	Total Vol = 0.000 INCHES (mm) <sup>3</sup> Total Surf Area = 0.000 INCHES (mm) <sup>2</sup> Not Available Calculated Mass = 0.000 grams
	Unless Otherwise Stated Remove Burrs and Break Sharp Edges 0.13 mm max.	Metric: X = ±0.40, XX = ±0.20, XXX = ±0.10 Imperial: X or XX = ±0.020, XXX = ±0.010, XXXX = ±0.005	Angles: X° = ±2°, XX° = ±0.5°		
Finish: SEE TABLE Treatment:	This is issued in strict confidence on condition that it is not used as a basis for manufacture or sale and that it is not copied printed or disclosed to a third party either wholly or in part without the prior written consent of ITT Corporation © 06-Oct-09 All rights reserved.		ITT JAYS CLOSE, VIABLES INDUSTRIAL ESTATE, BASINGSTOKE UK RG22 4BA	Drg No. CU76252Y Original Scale 3:1	Sheet 1 of 2

3	UP-DATED TO LATEST REQUIREMENTS	JS	15-DEC-12	SS
2	DRAWING NOTES UPDATED	JS	19-Jan-10	----
1	PRELIMINARY RELEASE	JS	06-Oct-09	----
Rev	ECO / DCN Details	Drawn	Date	Chk'd

DO NOT SCALE / IF IN DOUBT ASK

			CONNECTOR ORDERING NOMENCLATURE										
TITLE	DESIGNATOR	DESCRIPTION	NEM	WT	SB	1	19	P	N	C	XXX	B	
PRODUCT	NEM	NEMESIS											
SERIES	WT	WATER TIGHT											
COUPLING STYLE	SB	SNAP ON/BREAKAWAY											
SHELL STYLE	1	FREE RECEPTACLE											
CONTACT ARRANGEMENT	7												
	14												
	19												
CONTACT TYPE	S	SKT. CONTACTS											
KEY ORIENTATIONS	N	NORMAL											
	A,B,C & D	ALTERNATIVES											
TERMINATION TYPE	C												
TERMINATION CODE	XXX	CONTACT SALES											
FINISH	B or N	SEE NOTE 10											

STANDARD CONTACT LAYOUTS VIEWED ON THE MATING FACE



<p>3rd ANGLE PROJECTION</p>	Material	Drawing Tolerance Unless Otherwise Stated		Dimensions are in INCHES (mm)	Total Vol = 0.000 INCHES (mm) <sup>3</sup> Total Surf Area = 0.000 INCHES (mm) <sup>2</sup> Not Available Calculated Mass = 0.000 grams
	Finish	Metric	Imperial	Angles	
Unless Otherwise Stated Remove Burrs and Break Sharp Edges 0.13 mm max.	Treatment	X : ±0.40 XX : ±0.20 XXX : ±0.10	X or XX : ±0.020 XXX : ±0.010 XXXX : ±0.005	X° : ±2° XX° : ±0.5°	Title <b>CUSTOMER USE DRAWING</b> NEMESIS WT INLINE RECEPTACLE SNAP-ON/BREAKAWAY COUPLING
SEE SHEET 1 Rev ECO / DCN Details	JS Drawn	14-DEC-12 Date	JS Chk'd	ITT JAYS CLOSE, VIABLES INDUSTRIAL ESTATE, BASINGSTOKE UK RG22 4BA	Drg No. <b>CU76252Y</b> Original Scale 3:1
Ref DO NOT SCALE / IF IN DOUBT ASK				Sheet 2 of 2	