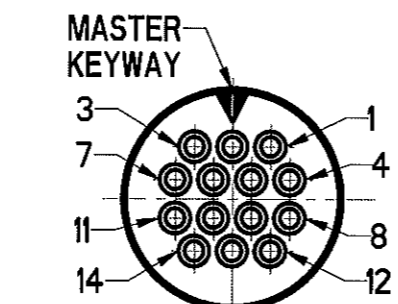
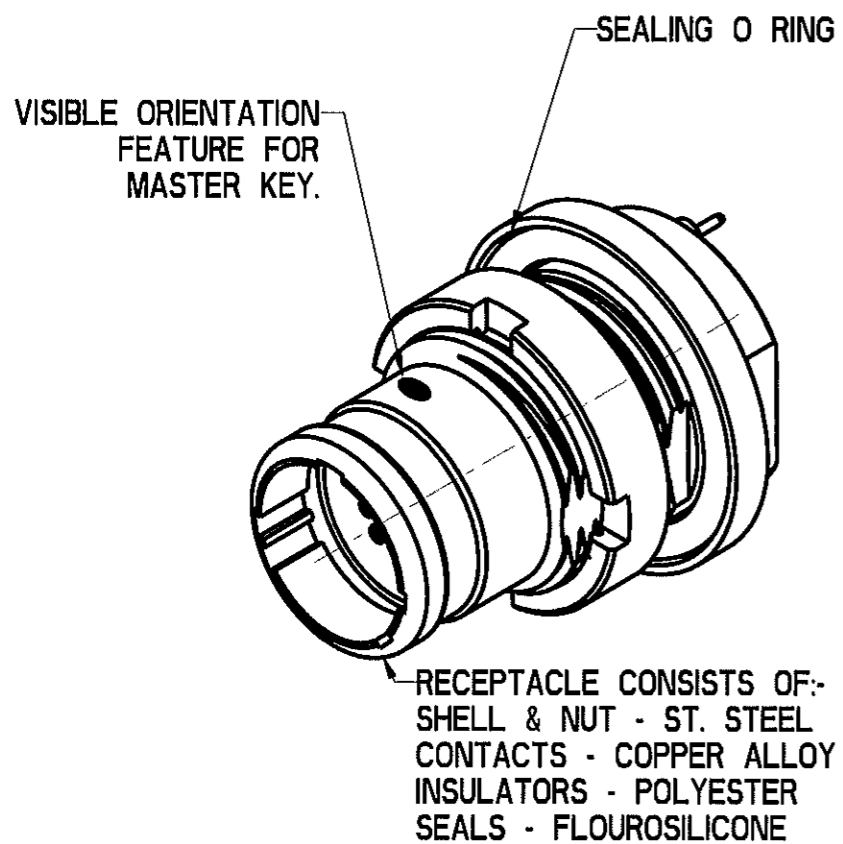
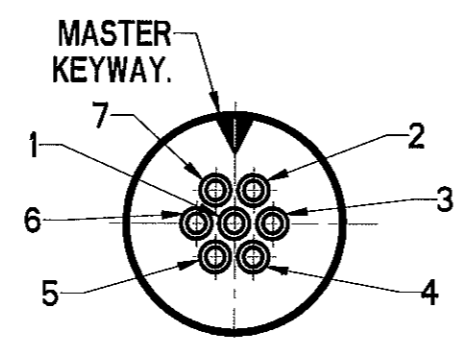


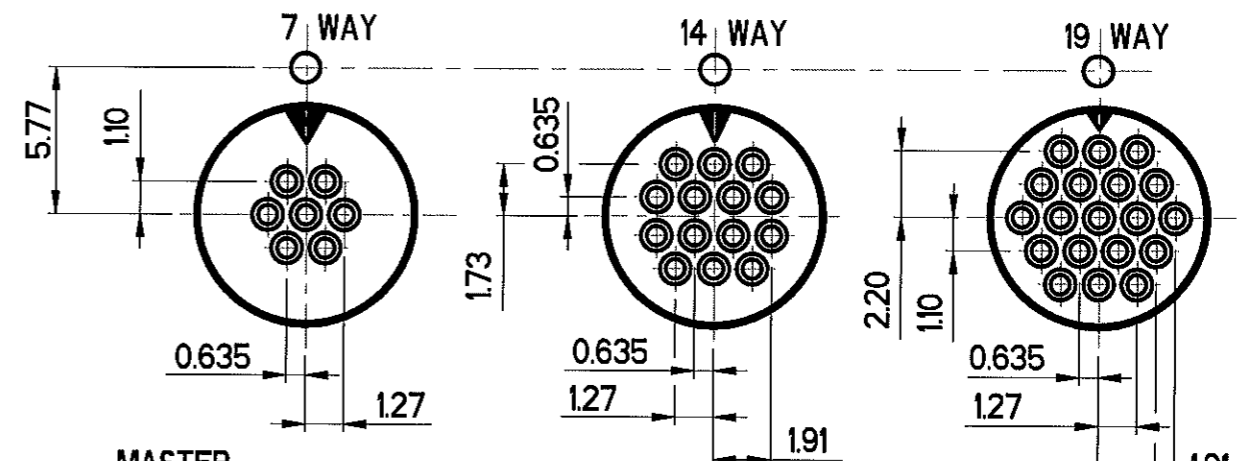
PANEL HOLE CUTOUT. SCALE 2:1



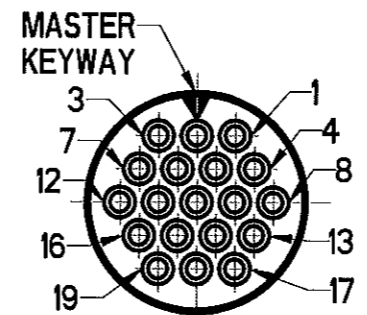
14 WAY STANDARD CONTACT LAYOUT VIEWED FROM THE MATING FACE. SCALE 4:1



7 WAY STANDARD CONTACT LAYOUT VIEWED FROM THE MATING FACE. SCALE 4:1



PCB LAYOUT - DATA VIEWED FROM THE MATING FACE.



19 WAY STANDARD CONTACT LAYOUT VIEWED FROM MATING FACE. SCALE 4:1

POLARISATION LETTER	COLOUR CODING PAINT BAND
N	BLUE
A	RED
B	GREEN
C	GREY
D	YELLOW

- NOTES
- ALL DIMENSIONS ARE NOMINAL UNLESS STATED OTHERWISE.
 - DIMENSIONS ARE IN MILLIMETRES.
 - POLARISATION KEYING ARRANGEMENTS IN N, A, B, C & D. BLACK ELECTROLESS NICKEL, 500 HOURS SALT SPRAY RESISTANT. CONTACTS - GOLD.
 - SHELL FINISHES - RoHS COMPLIANT.
 - IP67 SEALED.

<p>3rd ANGLE PROJECTION</p>	Material	Drawing Tolerance Unless Otherwise Stated		Dimensions are in Ins.	Total Vol : 0.000 Ins. ³ Total Surf Area : Ins. ² Calculated Mass : Not Available grams Title : CUSTOMER USE DRAWING. JAM NUT RECEPTACLE - NEMESIS. PUSH PULL COUPLING - 7, 14 & 19 WAY, WATER TIGHT.
	Unless Otherwise Stated Remove Burrs and Break Sharp Edges 0.13 mm max.	Finish Treatment	Metric X - ±0.40 XX - ±0.20 XXX - ±0.10	Imperial X or XX - ±0.020 XXX - ±0.010 XXXX - ±0.005	
Rev ECO / DCN Details	JS 08-JUN-11 JS 12-JAN-11	This is issued in strict confidence on condition that it is not used as a basis for manufacture or sale and that it is not copied printed or disclosed to a third party either wholly or in part without the prior written consent of ITT Corporation © 17-Aug-09 All rights reserved.		Surface Finish ✓	Drg No. CU76270Y Original Scale 3:1
A BASI0363 1 PRELIMINARY RELEASE	Drawn Date Chk'd Ref	DO NOT SCALE / IF IN DOUBT ASK		Sheet 1 of 1	

2-4-08 Rev E