



ITT

Interconnect Solutions
Cannon, VEAM, BIW

Providing **100%** optical signal
reliability in sending higher
bandwidth data streams
in the harshest environments



Engineered for life

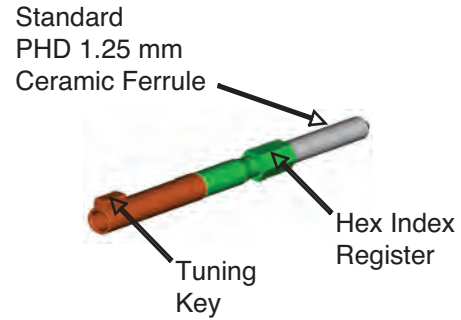
High Density Rectangular Connector

PHD Panel Mount Series

The PHD Panel Mount Connector incorporates a low profile design with a discrete keyed contact system for repeatable low loss optical performance.



Size 22 Termini



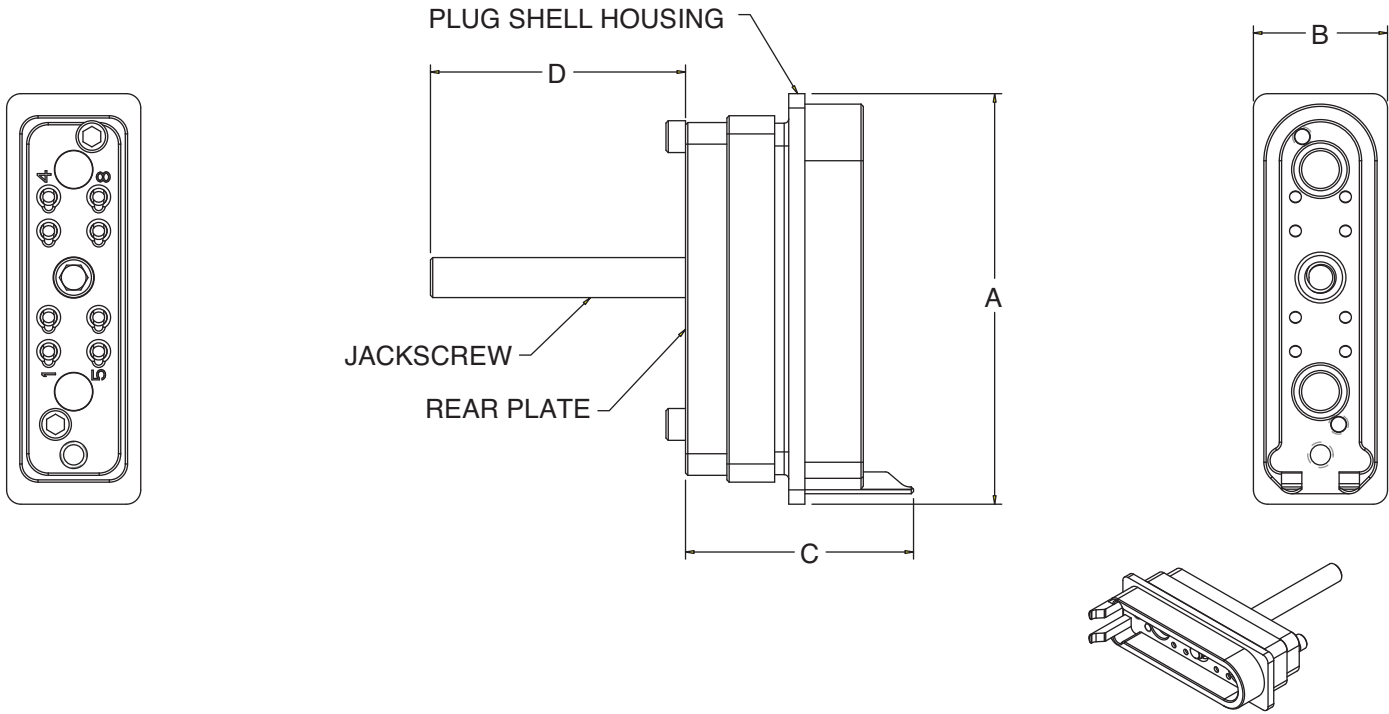
Product Features

- Three Piece Connector features Bulkhead Feed thru Design in standard 8, 16, 18 and 32 Channel Configurations.
- PHD Optical Contact System (Tuned size 22 Termini)
- All Metallic Bodies for Radiated Emission Suppression
- Internal Metallic Web for EMI Suppression and Terminus Stability
- Integrated Metallic Shutter System for Reduced Eye Hazard
- All Metallic Backshell (45 & 90 Degree)
- Removable alignment insert assembly mountable in either plug or receptacle.

	Multimode 62.5/125	Singlemode SMF 28
Ferrule (O.D.)	1.25 mm	1.25 mm
Insertion Loss (dB typ.)	0.30	0.20
Maximum Loss (dB max.)	0.50	0.30
Return Loss (dB typ.)	25	56
Return Loss (dB min.)	20	50
Channel Servicing	Single	
Channel Repair	Single	
Cyclic Durability	1000	



High Density Rectangular Connector



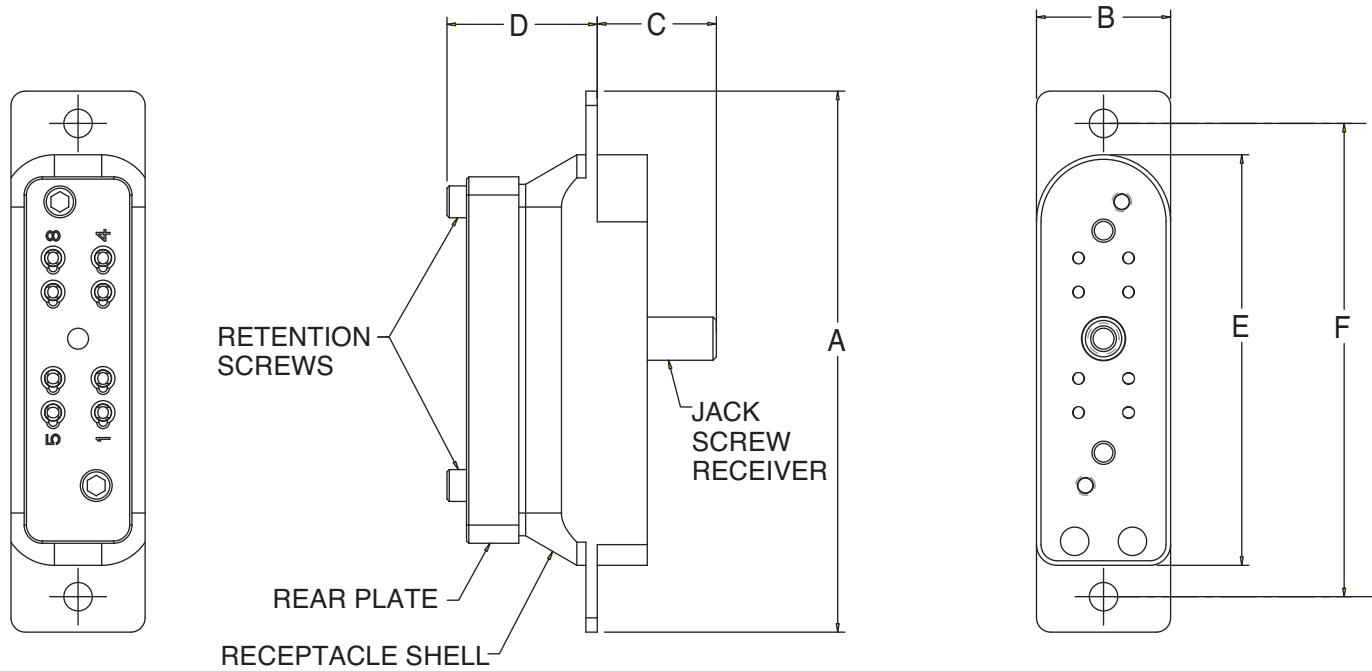
Shell Size	PHD Patch Panel Standard Part Number	A	B	C	D
8	PHD140259-9	1.810	.590	1.000	1.122
16	PHD140259-7	2.110	.590	1.000	1.122
32	PHD140259-6	3.006	.590	1.000	1.122

PRODUCT NOTES	
<p>1. Packaging: Packaging identification includes manufacturer's name and part number</p> <p>2. Material / Finish: Plug Housing / Backplate: Aluminum Alloy / Electroless Nickel plating. Jackscrew: Heat treated Stainless Steel Alloy / Passivated Screws & Washers : Stainless Steel / NA</p>	<p>3. Tooling: Insertion / Removal tool: Size 22, Part Number 274-0053-0000</p> <p>4. Plug Connector to be used with a Panel Mount Receptacle and Adapter Assembly (Pages 46-47). Termini – PHD Size 22 (Pages 30-31).</p> <p>5. Applications: Military/Aero space & Commercial Fiber Optic Interconnect environments.</p>



High Density Rectangular Connector

Bulkhead Receptacle Connector Assembly



Shell Size	PHD Patch Panel Standard Part Number	A	B	C	D
8	PHD140260-10	2.366	.590	.509	.661
16	PHD140260-8	2.666	.590	.524	.661
32	PHD140260-7	3.566	.590	.574	.611

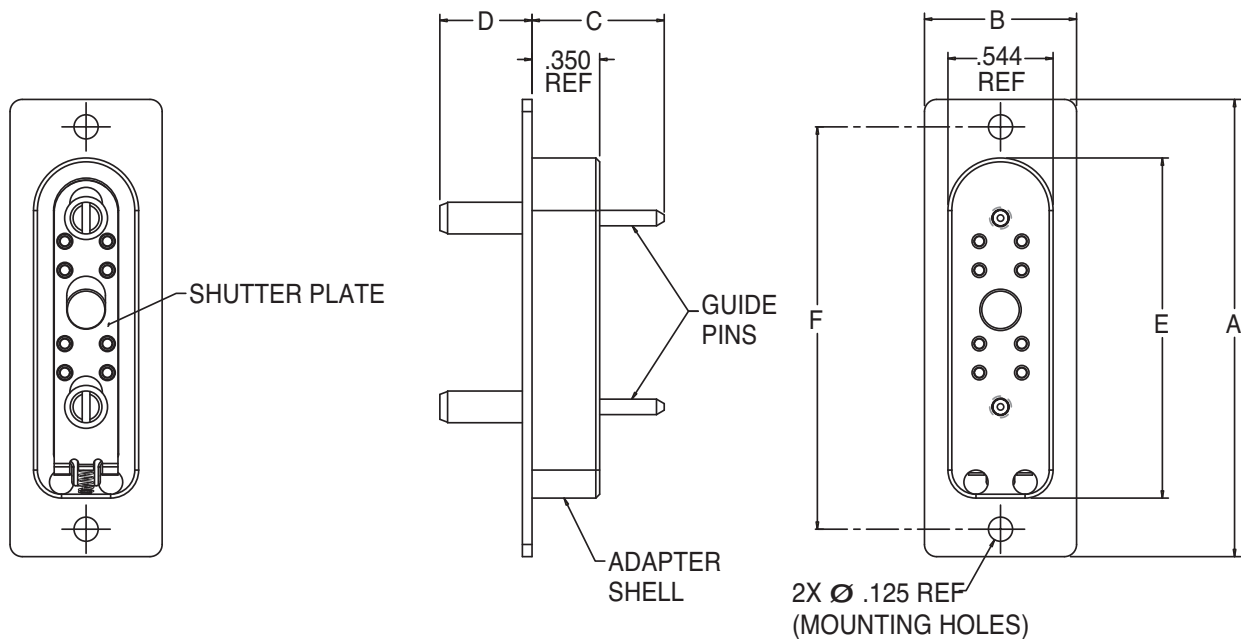
PRODUCT NOTES

- 1. Packaging:** Packaging identification includes manufacturer's name and part number
- 2. Material / Finish:** Receptacle Housing / Backplate: Aluminum Alloy / Electroless Nickel plating.
- 3. Tooling:** Insertion / Removal tool: Size 22, Part Number 274-0053-0000
- 4. Plug Connector** to be used with a Panel Mount Receptacle and Adapter Assembly (Pages 45-47). Termini – PHD Size 22 (Pages 30-31).
- 5. Applications:** Military/Aero space & Commercial Fiber Optic Interconnect environments.



High Density Rectangular Connector

Alignment Adapter Insert Assembly



Shell Size	PHD Patch Panel Standard Part Number	A	B	C	D
8	PHD140261-2	2.366	.787	.448	.684
16	PHD140261-3	2.666	.787	.448	.684
32	PHD140261	3.566	.787	.448	.684

PRODUCT NOTES	
<p>1. Packaging: Packaging identification includes manufacturer's name and part number</p> <p>2. Material / Finish: Adapter Housing Insert: Aluminum Alloy / Electroless Nickel plating. Sutter/Plate, Spring & Guide Pins: Stainless Steel Alloy / Passivated. Alignment Sleeve: Ceramic Retention Clip: Stainless Steel Alloy / Passivated.</p>	<p>3. Tooling: Insertion / Removal tool: Size 22, Part Number 274-0053-0000</p> <p>4. Adapter Insert to be used with a Panel Mount Receptacle and Patch Panel Plug (Pages 45-46). Termini – PHD Size 22 (Pages 30-31).</p> <p>5. Applications: Military/Aero space & Commercial Fiber Optic Interconnect environments.</p>

Dimensions shown in inches (mm)
Specifications and dimensions subject to change

