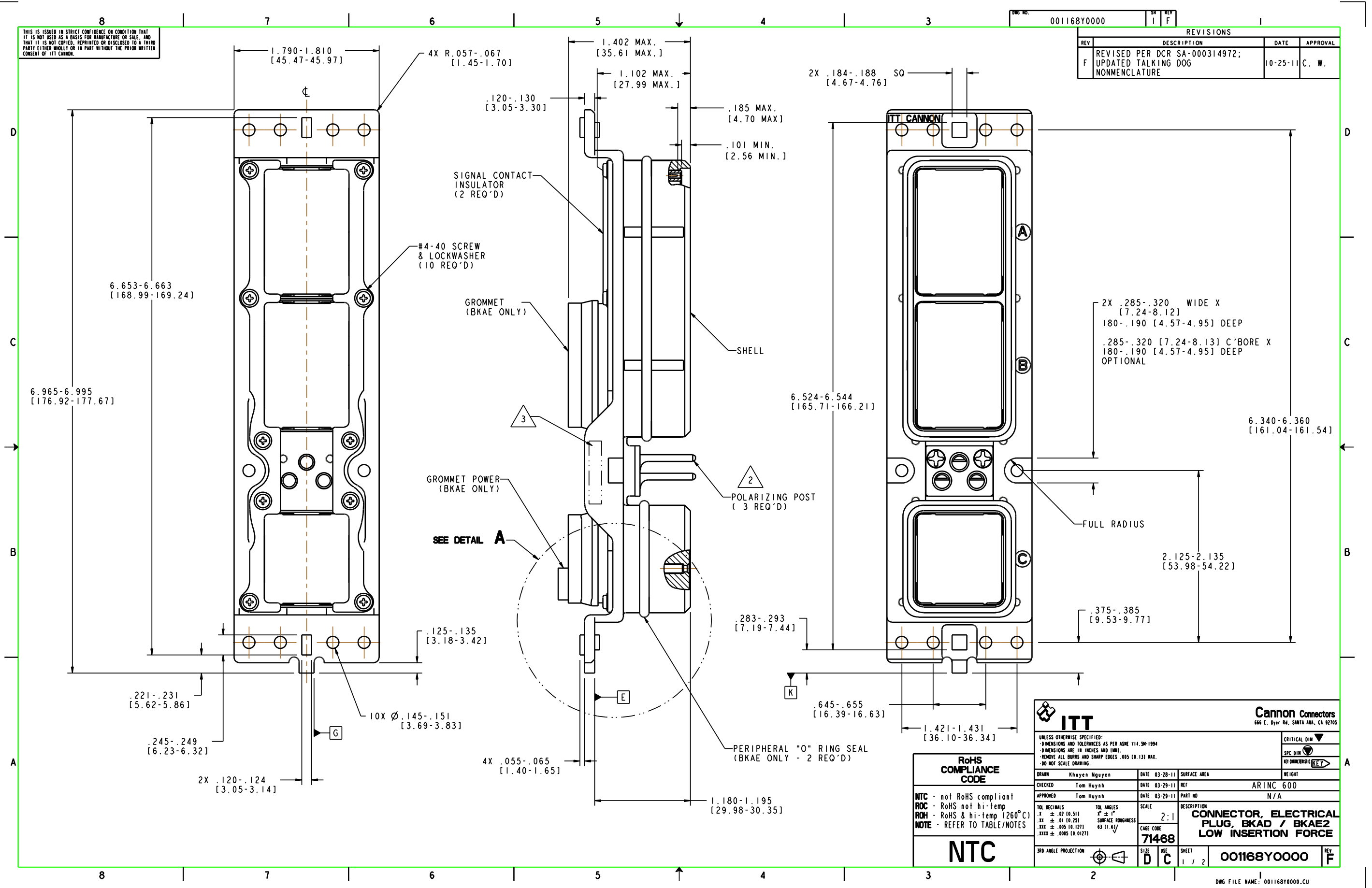


REVISIONS			
REV	DESCRIPTION	DATE	APPROVAL
F	REVISED PER DCR SA-000314972; UPDATED TALKING DOG NONMENCLATURE	10-25-11	C. W.

THIS IS ISSUED IN STRICT CONFIDENCE ON CONDITION THAT IT IS NOT USED AS A BASIS FOR MANUFACTURE OR SALE, AND THAT IT IS NOT COPIED, REPRINTED OR DISCLOSED TO A THIRD PARTY EITHER WHOLLY OR IN PART WITHOUT THE PRIOR WRITTEN CONSENT OF ITT CANNON.



**ITT Cannon Connectors**  
666 E. Dyer Rd. SANTA ANA, CA 92705

UNLESS OTHERWISE SPECIFIED:  
- DIMENSIONS AND TOLERANCES AS PER ASME Y14.5M-1994  
- DIMENSIONS ARE IN INCHES AND (MM)  
- REMOVE ALL BURRS AND SHARP EDGES .005 (0.13) MAX.  
- DO NOT SCALE DRAWING.

DRAWN: Khuyen Nguyen	DATE: 03-28-11	SURFACE AREA	WEIGHT
CHECKED: Tom Huynh	DATE: 03-29-11	REF: ARINC 600	
APPROVED: Tom Huynh	DATE: 03-29-11	PART NO: N/A	
TOL DECIMALS	TOL ANGLES	SCALE	DESCRIPTION
.1 ± .02 (0.51)	° ± 1°	2:1	CONNECTOR, ELECTRICAL
.XX ± .01 (0.25)	SURFACE ROUGHNESS		PLUG, BKAD / BKAE2
.XXX ± .005 (0.127)	63 (1.6)		LOW INSERTION FORCE
.XXXX ± .0005 (0.0127)			
CAGE CODE: 71468		SIZE: D	USE: C
3RD ANGLE PROJECTION		SHEET: 1 / 2	DWG NO: 001168Y0000

**EXPORT CODE C**

This document contains technical data that is subject to export controls under the Export Administration Act and Export Administration Regulations (15 CFR 70, et seq.). Any transfer of this data to non-US persons or to any location outside the United States must be in compliance with the Export Administration Regulations.

REVISIONS			
REV	DESCRIPTION	DATE	APPROVAL
REFER TO SHEET 1 FOR LATEST REVISION			

THIS IS ISSUED IN STRICT CONFIDENCE ON CONDITION THAT IT IS NOT USED AS A BASIS FOR MANUFACTURE OR SALE, AND THAT IT IS NOT COPIED, REPRINTED OR DISCLOSED TO A THIRD PARTY EITHER WHOLLY OR IN PART WITHOUT THE PRIOR WRITTEN CONSENT OF ITT CANNON.

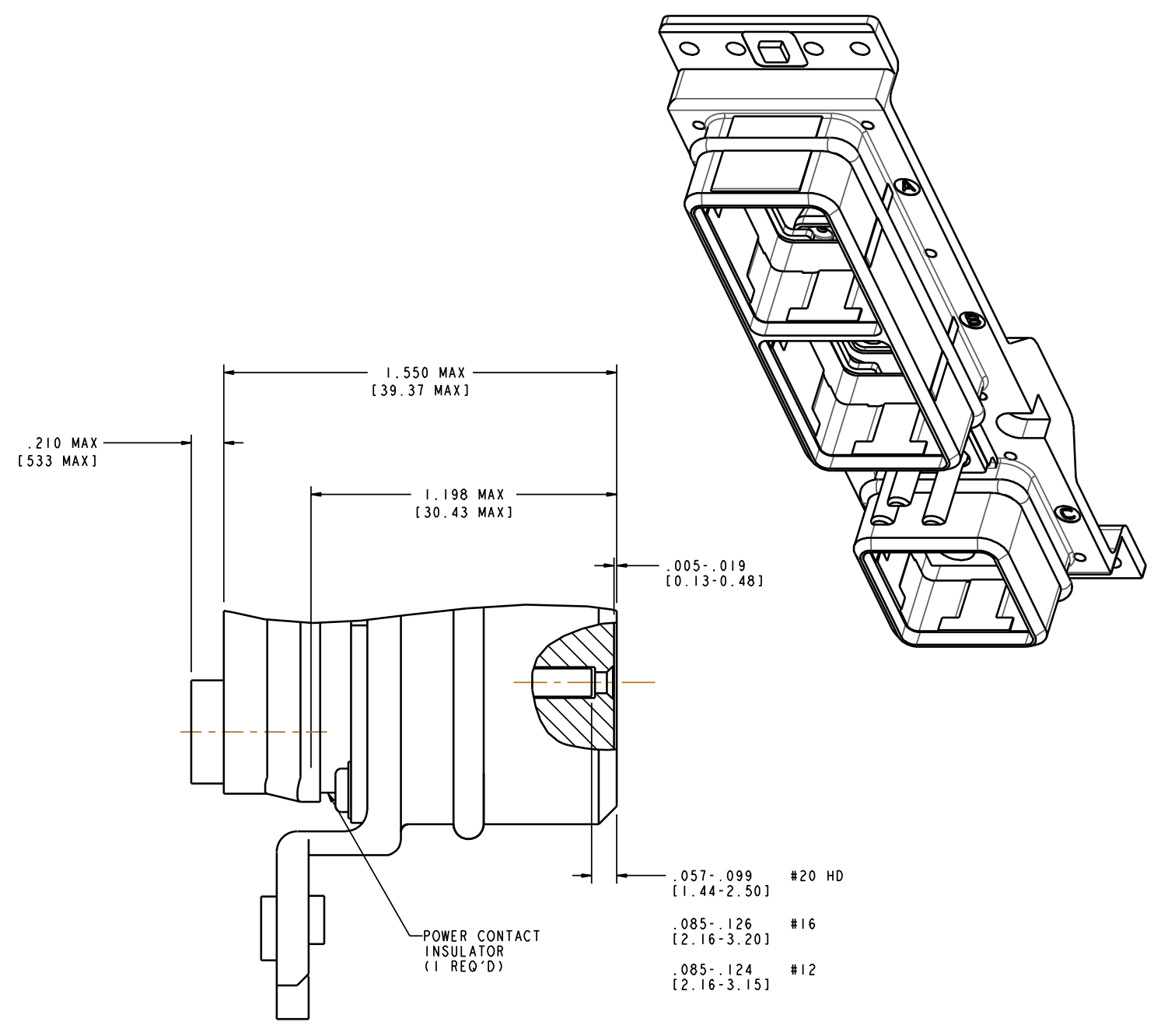
**NOMENCLATURE**

**BKA \* 2- \*\*\*- 3 00 01 -FO**

- △ 3 △ 4  
LESS CONTACT ("-FO" NOT MARKED ON CONNECTOR)
- △ 2  
POLARIZING POSITION
- SHELL MODIFICATION
- SHELL STYLE  
3 - PLUG  
4 - RECEPTACLE
- TOTAL NO. OF CONTACTS
- SHELL SIZE
- CLASS  
D - NON ENVIRONMENTAL  
E - ENVIRONMENTAL
- SERIES ITT CANNON PREFIX.

**NOTES:**

1. FOR CONTACT CRIMP TOOL, CONTACT INSERTION TOOL AND REMOVAL TOOL REFER TO APPLICABLE ITT CANNON CUSTOMER USE CONTACT DWG.
- △ 2 FOR POLARIZATION COMBINATIONS REFER TO ITT CANNON BKAD/E CATALOG.
- △ 3 IDENTIFIED WITH "ITT CANNON" OR TRADEMARK DESCRIPTION AND DATE CODE IN AREA SHOWN. "-FO" NOT MARKED ON CONNECTOR.
- △ 4 MODIFIER "-FO" WILL NOT BE MARKED ON CONNECTOR.



DETAIL A  
SCALE 4:1

RoHS COMPLIANCE CODE	
NTC	- not RoHS compliant
ROC	- RoHS not hi-temp
ROH	- RoHS & hi-temp (260°C)
NOTE	- REFER TO TABLE/NOTES
<b>NTC</b>	

SCALE	2:1	CAGE CODE	7468	DO NOT SCALE DRAWING
SHEET	2 / 2	REV	F	
SIZE	D	DWG NO	001168Y0000	

DWG FILE NAME: 001168Y0000.CU

**EXPORT CODE C**

This document contains technical data that is subject to export controls under the Export Administration Act and Export Administration Regulations (15 CFR 70, et seq.). Any transfer of this data to non-US persons or to any location outside the United States must be in compliance with the Export Administration Regulations.