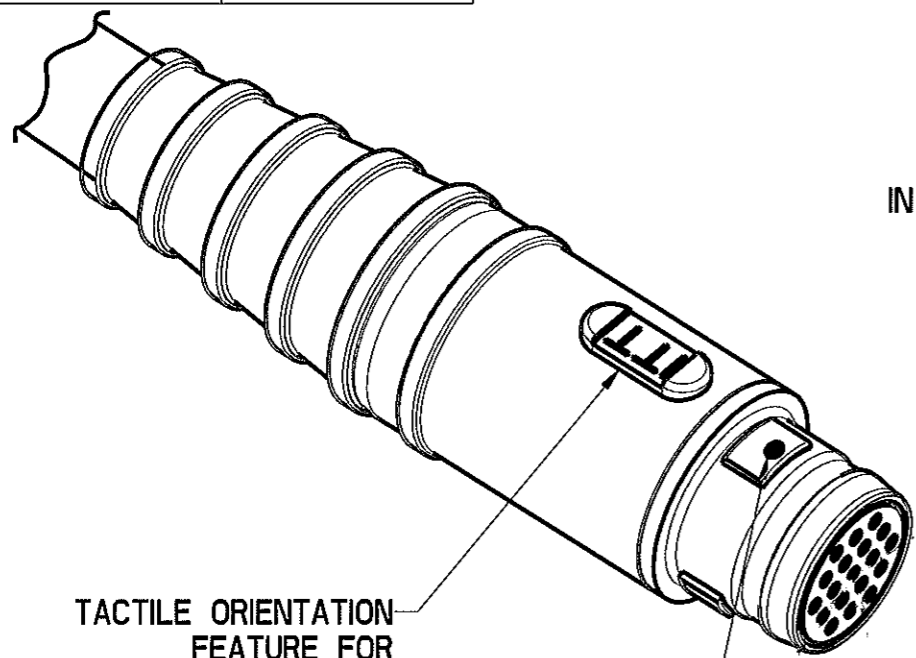
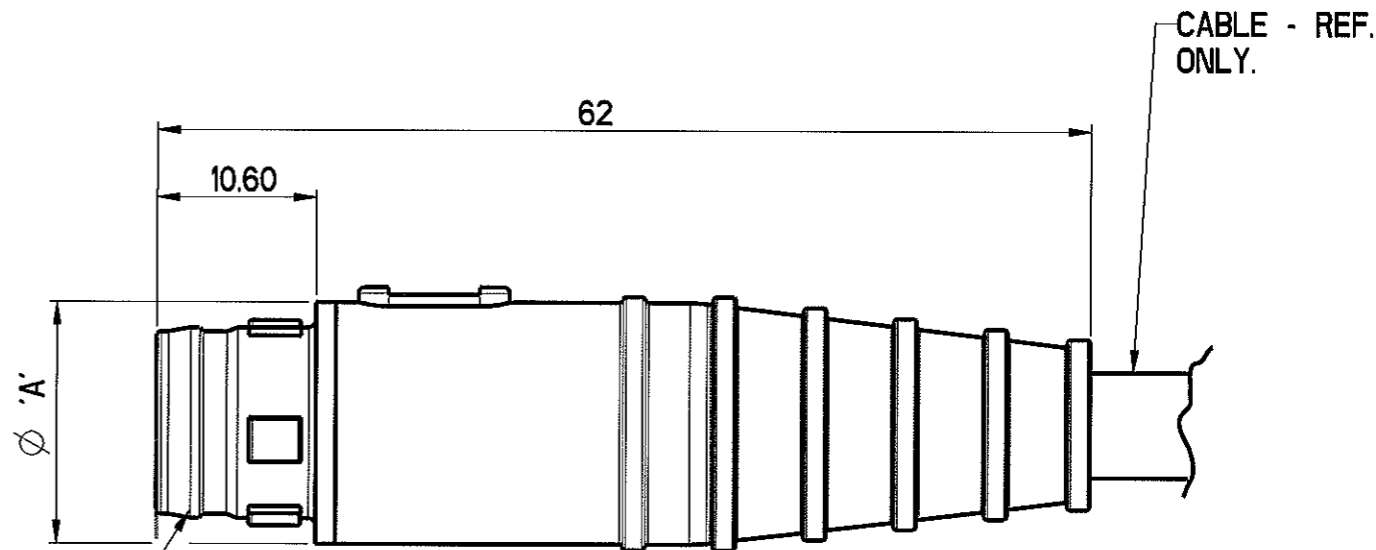
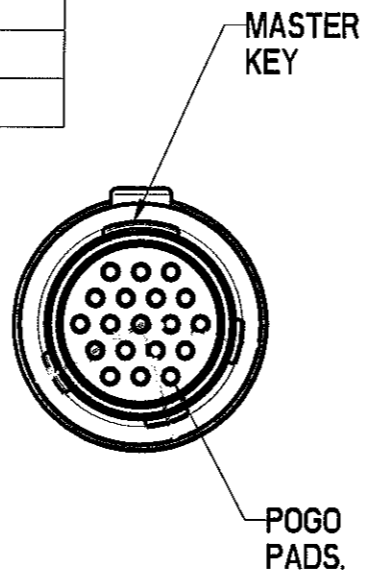
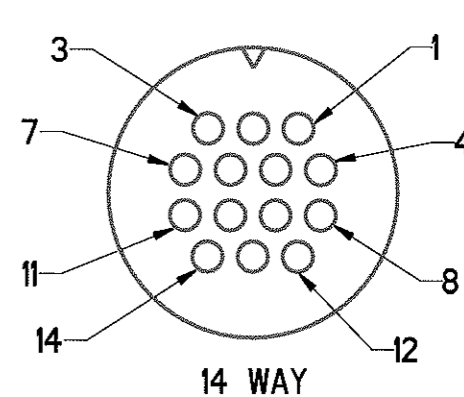
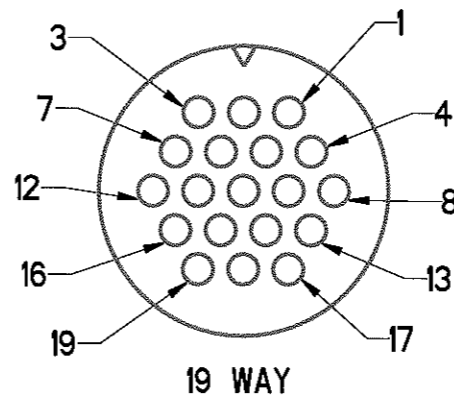


POLARISATION LETTER	COLOUR CODING PAINT DOT.
N	DARK BLUE
A	RED
B	GREEN
C	GREY
D	YELLOW
V	VIOLET
W	ORANGE
X	LIGHT BLUE
Y	BROWN
Z	WHITE

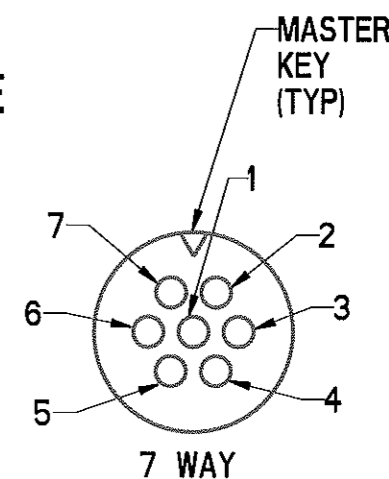
CONTACT ARRANGEMENT	DIA. 'A'
7	12.00
14	15.00
19	16.00



IN LINE RECEPTACLE CONSISTS OF :
 SHELLS - STAINLESS STEEL
 CONTACTS - COPPER ALLOY
 SEALS - FLOURSILICONE RUBBER
 INSULATORS - POLYESTER



STANDARD CONTACT LAYOUTS VIEWED FROM THE MATING FACE (NOT TO SCALE)



COLOUR CODED DOT DENOTES ORIENTATION FEATURE AND MASTER KEYWAY POSITION.

NOTE

- DIMENSIONS ARE NOMINAL UNLESS STATED OTHERWISE.
- STANDARD POLARISATION KEYING ARRANGEMENTS (N,A,B,C,D,V,W,X,Y,Z).
- IP67 SEALED.
- IMAGE SHOWN IS 19 WAY VARIANT.
- SHELL FINISHES - RoHS COMPLIANT.
 SHELL(S) - BLACK ELECTROLESS NICKEL - 500 HOURS SALT SPRAY RESISTANT.
 CONTACTS - GOLD.

<p>ITT JAYS CLOSE, VIABLES INDUSTRIAL ESTATE, BASINGSTOKE UK. RG22 4BA.</p>	<p>THIRD ANGLE PROJECTION</p> <p>DO NOT SCALE / IF IN DOUBT, ASK.</p>	<p>MATERIAL</p> <p>FINISH</p> <p>TREATMENT</p>	<p>Ref.</p> <p>MODEL</p> <p>DRAWN JS</p> <p>CHK'd</p> <p>APPR'd</p>	<p>CofG (x) 0.000</p> <p>CofG (y) 0.000</p> <p>CofG (z) 0.000</p> <p>SA.</p> <p>VOL</p> <p>MASS</p>	<p>FIRST USED ON -</p> <p>NEMESIS REVERSE GENDER HM IN LINE CABLE RECEPTACLE. 7,14 & 19 WAY.</p> <p>CU76278Y (MODEL No. 078334_19WAYOM)</p>
	<p>LINEAR TOLERANCES</p> <p>X = ±0.4</p> <p>X.X = ±0.2</p> <p>X.XX = ±0.1</p> <p>ANGULAR TOLERANCES</p> <p>X = ±2'</p> <p>X.X = ±0.5'</p>	<p>GENERAL</p> <p>UNLESS OTHERWISE STATED REMOVE BURRS AND BREAK SHARP EDGES MAX.</p> <p>SURFACE FINISH ✓</p>	<p>ALL DIMENSIONS ARE IN mm UNLESS STATED</p>	<p>0.000mg</p>	<p>SCALE 2:1</p> <p>SHEET 1 of 1</p> <p>Concept Rev 1.7</p>

B	BAS0389	JS	05-SEP-11	JS
A	BAS0361	JS	11-MAY-11	JS
REV	ECR DETAILS	DRAWN	DATE	CHK'd