

MASTER KEY

RECEPTACLE CONSISTS OF :-  
SHELLS - STAINLESS STEEL  
CONTACTS - COPPER ALLOY  
SEALS - FLOUROSILICONE RUBBER  
INSULATORS - POLYESTER



TABLE 1

POLARISATION LETTER	COLOUR CODING PAINT BAND
N	BLUE
A	RED
B	GREEN
C	GREY
D	YELLOW
V (note 3)	VIOLET
W (note 3)	ORANGE
X (note 3)	LIGHT BLUE
Y (note 3)	BROWN
Z (note 3)	WHITE

- NOTES:-
1. ALL DIMENSIONS ARE NOMINAL UNLESS OTHERWISE STATED
  2. DIMENSIONS ARE IN MILLIMETERS
  3. STANDARD POLARISATION KEYING ARRANGEMENTS (N,A,B,C & D) ALTERNATIVE (NON PREFERRED) KEYING ARRANGEMENTS (V,W,X,Y,Z) ONLY FOR USE IF MIXING WITH NEMESIS SC CONNECTORS IN MORE THAN 5 VARIANTS.
  4. CONNECTOR VIEW IMAGES DEPICT THE 7 WAY VARIANT
  5. IP67 SEALED

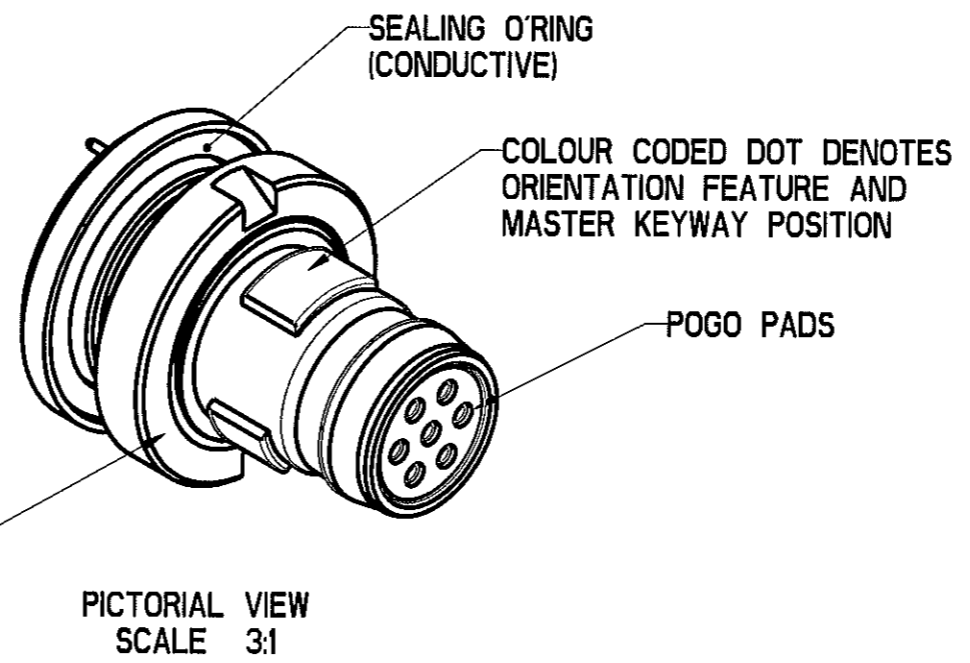


TABLE 2

CONTACT ARRANGEMENT	DIMENSION A	DIMENSION D
7	Ø 15.00 mm	4.90 mm
14	Ø 18.00 mm	6.40 mm
19	Ø 19.50 mm	6.90 mm

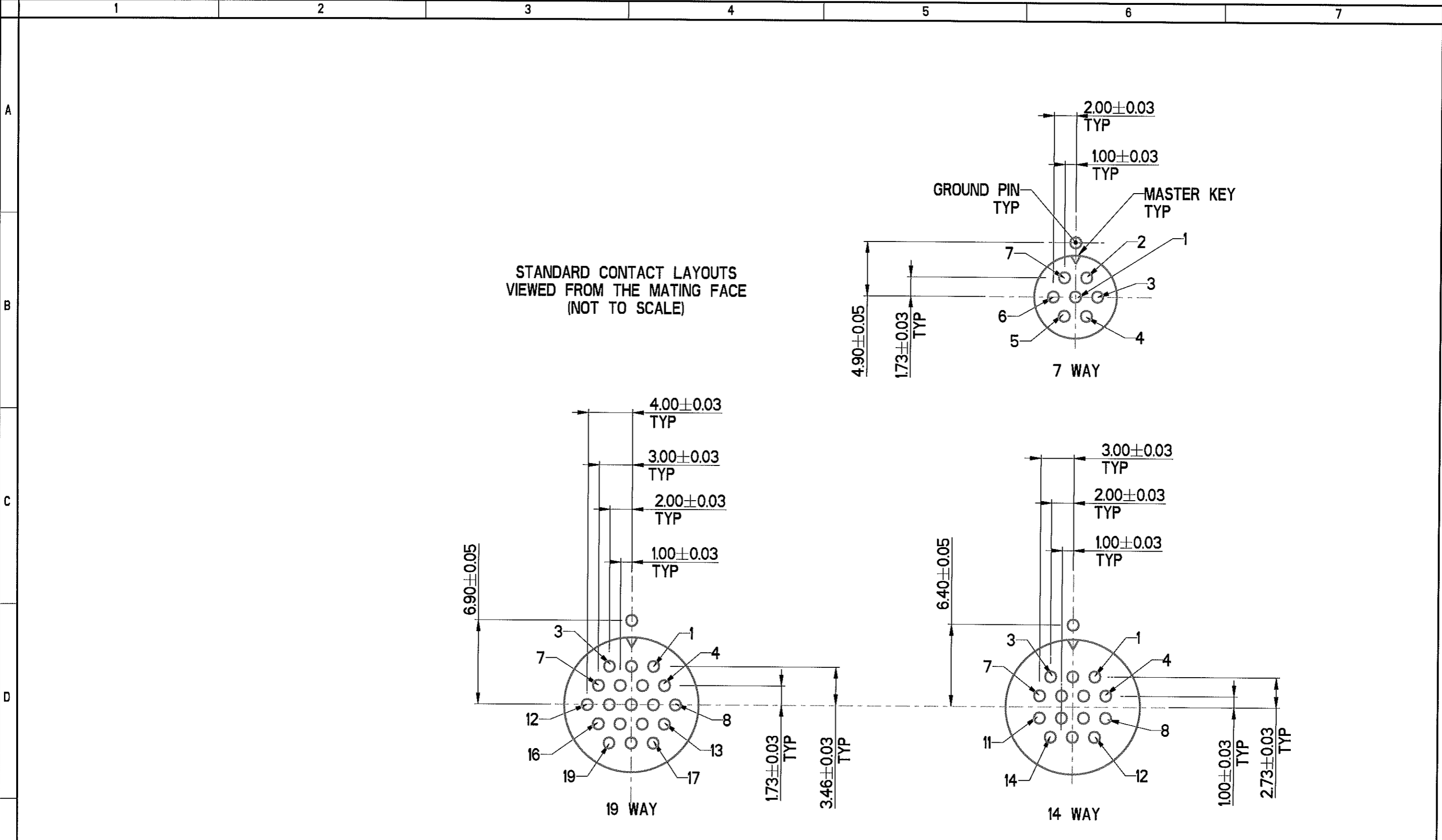
TABLE 3  
PANEL HOLE CUTOUT

CONNECTOR SIZE	DIMENSION B	DIMENSION C
7	10.70 mm	Ø 11.60mm
14	13.70 mm	Ø 14.60 mm
19	15.15 mm	Ø 16.10 mm

Rev	ECO / DCN Details	Drawn	Date	Chk'd
B	BAS10380	JS	04-OCT-11	JS
A	BAS10364	JS	25-MAY-11	
4	GENDER REVERSED AND REDRAWN	PJ	16-Dec-09	---

<p>3rd ANGLE PROJECTION</p>	<p>Material SEE COMPONENT DRAWING</p>	<p>Drawing Tolerance Unless Otherwise Stated</p> <table border="1"> <tr> <th>Metric</th> <th>Imperial</th> <th>Angles</th> </tr> <tr> <td>X : ±0.40</td> <td>X or X.X : ±0.020</td> <td>X° : ±2°</td> </tr> <tr> <td>X.X : ±0.20</td> <td>X.XX : ±0.010</td> <td>X.X° : ±0.5°</td> </tr> <tr> <td>X.XX : ±0.10</td> <td>X.XXX : ±0.005</td> <td></td> </tr> </table>		Metric	Imperial	Angles	X : ±0.40	X or X.X : ±0.020	X° : ±2°	X.X : ±0.20	X.XX : ±0.010	X.X° : ±0.5°	X.XX : ±0.10	X.XXX : ±0.005		<p>Dimensions are in mm</p>	<p>Total Vol : 1612.455 mm<sup>3</sup></p> <p>Total Surf Area : 0.000 mm<sup>2</sup> Not Available</p> <p>Calculated Mass : 9.104 grams</p>
	Metric	Imperial	Angles														
X : ±0.40	X or X.X : ±0.020	X° : ±2°															
X.X : ±0.20	X.XX : ±0.010	X.X° : ±0.5°															
X.XX : ±0.10	X.XXX : ±0.005																
<p>Unless Otherwise Stated Remove Burrs and Break Sharp Edges 0.13 mm max.</p>	<p>Finish SEE COMPONENT DRAWING</p> <p>Treatment N/A</p>	<p>This is issued in strict confidence on condition that it is not used as a basis for manufacture or sale and that it is not copied printed or disclosed to a third party either wholly or in part without the prior written consent of ITT Corporation. © 22-Jul-09 All rights reserved.</p>	<p>Surface Finish 1.1/√</p>	<p>Title CUSTOMER USE DRAWING NEMESIS HM - JAM NUT RECEPTACLE 7, 14 &amp; 19 WAY</p> <p>Drg No. CU76250Y</p> <p>Original Scale 2:1 Sheet 1 of 2</p>													





<p>3rd ANGLE PROJECTION</p>	Material	Drawing Tolerance Unless Otherwise Stated			Dimensions are in mm	Total Vol : 0.000 mm <sup>3</sup>	
	Finish	Metric X : ±0.40 X.X : ±0.20 X.XX : ±0.10	Imperial X or X.X : ±0.020 X.XX : ±0.010 X.XXX : ±0.005	Angles X° : ±2° X.X° : ±0.5°	Surface Finish 1.6	Total Surf Area : 0.000 mm <sup>2</sup> Calculated Mass : 0.000 grams	
Unless Otherwise Stated Remove Burrs and Break Sharp Edges 0.13 mm max.	Treatment N/A	This is issued in strict confidence on condition that it is not used as a basis for manufacture or sale and that it is not copied printed or disclosed to a third party either wholly or in part without the prior written consent of ITT Corporation © 03-Aug-09 All rights reserved.			<p>ITT JAYS CLOSE, VIABLES INDUSTRIAL ESTATE, BASINGSTOKE UK. RG22 4BA</p>	Title CUSTOMER USE DRAWING PCB LAYOUT FOR JAM NUT RECEPTACLE - NEMESIS SUPER CLEAN CONNECTOR 7, 14 & 19 WAY	
SEE SHEET 1	SS PJ 16-Dec-09	Ref	DO NOT SCALE / IF IN DOUBT ASK			Drg No. CU76250Y	Original Scale 3:1 Sheet 2 of 2
Rev ECO / DCN Details	Drawn Date Chk'd						