

A

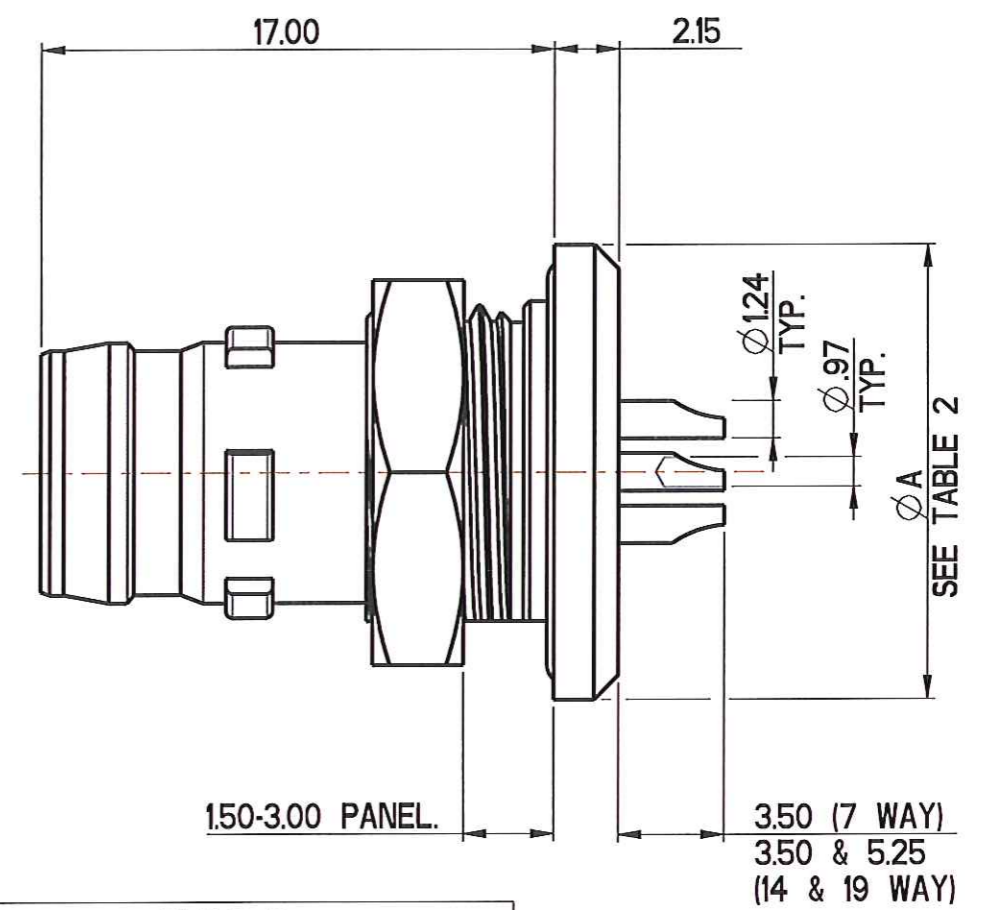
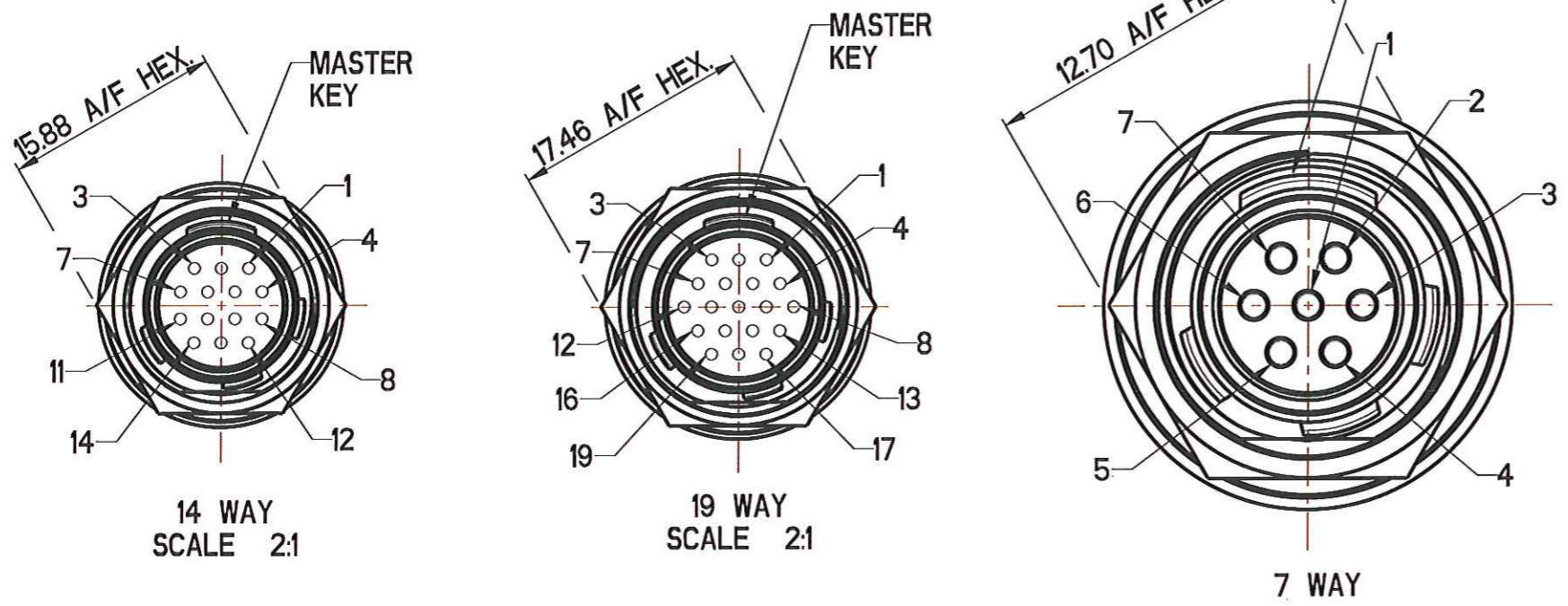
B

C

D

E

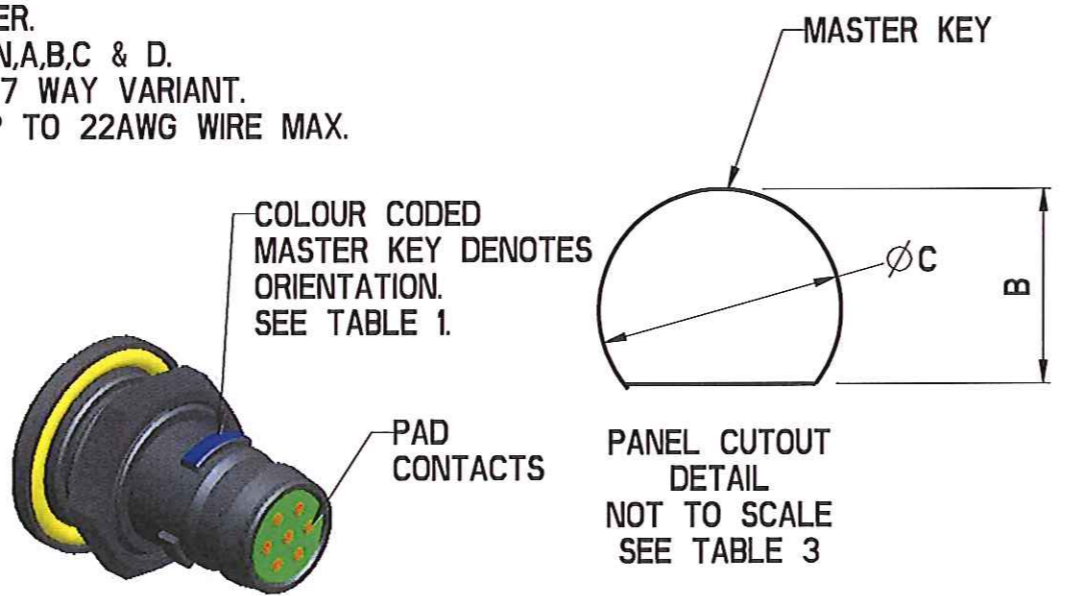
2-4-008 Rev G



- NOTE**
- DIMENSIONS ARE NOMINAL UNLESS STATED OTHERWISE.
 - MATERIALS / FINISH :-
 BODY PARTS.....ST. STEEL.....BLACK ELECTROLESS NICKEL OR ELECTROLESS NICKEL.
 INSULATORS.....HIGH TEMPERATURE THERMOPLASTIC.
 SEALS.....FLOUROSILICONE.
 CONTACTS.....COPPER ALLOY.....GOLD.
 O RING.....CONDUCTIVE RUBBER.
 - POLARISATION KEYING ARRANGEMENTS N,A,B,C & D.
 - CONNECTOR VIEW IMAGES DEPICT THE 7 WAY VARIANT.
 - SOLDER BUCKET CONTACTS ACCEPT UP TO 22AWG WIRE MAX.

CONTACT ARRANGEMENT	DIMENSION A
7	∅15.00mm
14	∅18.00mm
19	∅19.50mm

POLARISATION LETTER	COLOUR CODING PAINT BAND
N	BLUE
A	RED
B	GREEN
C	GREY
D	YELLOW



CONTACT ARRANGEMENT	DIMENSION B	DIMENSION C
7	10.70mm	∅11.60mm
14	13.70mm	∅14.60mm
19	15.15mm	∅16.10mm

<p>ITT JAYS CLOSE, VIABLES INDUSTRIAL ESTATE, BASINGSTOKE UK RG22 4BA.</p>	<p>THIRD ANGLE PROJECTION</p> <p>DO NOT SCALE / IF IN DOUBT, ASK.</p> <p>LINEAR TOLERANCES X = ±0.4 XX = ±0.2 XXX = ±0.1</p> <p>ANGULAR TOLERANCES X = ±2° XX = ±0.5°</p> <p>ALL DIMENSIONS ARE IN "mm" UNLESS STATED</p>	<p>GENERAL</p> <p>UNLESS OTHERWISE STATED REMOVE BURRS AND BREAK SHARP EDGES MAX.</p> <p>SURFACE FINISH ✓</p>	<p>MATERIAL</p> <p>FINISH</p> <p>TREATMENT</p>	<p>Ref. CofG (x) 0.000</p> <p>MODEL CofG (y) 0.000</p> <p>CofG (z) 0.000</p> <p>DRAWN JS</p> <p>CHK'd JS</p> <p>APPR'd</p>	<p>FIRST USED ON -</p> <p>NEMESIS JAM NUT RECEPTACLE SOLDER BUCKET CONTACTS 7,14 & 19 WAY, CUSTOMER USE DRAWING</p> <p>CU76348Y</p>
	<p>1 PRELIMINARY RELEASE</p> <p>REV ECR DETAILS</p>	<p>JS 21-Jan-13</p> <p>DRAWN DATE CHK'd</p>	<p>SCALE 4:1</p> <p>SHEET 1 of 2</p> <p>Concept Rev 1.2</p>	<p>© 14-Nov-12 All rights reserved.</p>	

A

B


C

D

E

2-1-08 Rev G

PART NUMBER	NOMENCLATURE	CONTACT CONFIGURATION
078336-6000	NEM-QTSB77PPNSB	7
078336-6001	NEM-QTSB77PPASB	7
078336-6002	NEM-QTSB77PPBSB	7
078336-6003	NEM-QTSB77PPCSB	7
078336-6004	NEM-QTSB77PPDSB	7
078339-6000	NEM-QTSB714PPNSB	14
078339-6001	NEM-QTSB714PPASB	14
078339-6002	NEM-QTSB714PPBSB	14
078339-6003	NEM-QTSB714PPCSB	14
078339-6004	NEM-QTSB714PPDSB	14
078342-6000	NEM-QTSB-719PPNSB	19
078342-6001	NEM-QTSB-719PPASB	19
078342-6002	NEM-QTSB-719PPBSB	19
078342-6003	NEM-QTSB-719PPCSB	19
078342-6004	NEM-QTSB-719PPDSB	19

 ITT JAYS CLOSE, VIABLES INDUSTRIAL ESTATE, BASINGSTOKE UK RG22 4BA.	THRD ANGLE PROJECTION DO NOT SCALE / IF IN DOUBT, ASK. LINEAR TOLERANCES X = ±0.4 XX = ±0.2 XXX = ±0.1 ANGULAR TOLERANCES X = ±2° XX = ±0.5° ALL DIMENSIONS ARE IN "mm" UNLESS STATED	GENERAL UNLESS OTHERWISE STATED REMOVE BURRS AND BREAK SHARP EDGES MAX. SURFACE FINISH ✓	MATERIAL FINISH TREATMENT	Ref. MODEL DRAWN JS CHK'd JS APPR'd	CofG (x) 0.000 CofG (y) 0.000 CofG (z) 0.000 SA VOL MASS 0.000mg (0.000drams)	FIRST USED ON - NEMESIS JAMNUT RECEPTACLE SOLDER BUCKET CONTACTS 7,14 & 19 WAY, CUSTOMER USE DRAWING. CU76348Y (MODEL No. 76351Y)
SEE SHEET 1 REV ECR DETAILS	JS 22-Jan-13 DRAWN DATE CHK'd	This is issued in strict confidence on condition that it is not used as a basis for manufacture or sale and that it is not copied printed or disclosed to a third party either wholly or in part without the prior written consent of ITT Corporation © 22-Jan-13 All rights reserved.				