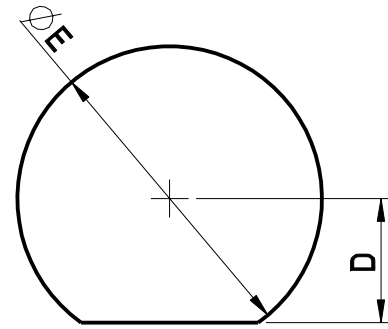


Contact Arrangement	Dimension					Calculated Mass (grams)
	A ±0.10	∅B	∅C	D	∅E	
7 way	6.85	21.00	8.57	6.67	17.40	13.141
14 way	8.34	23.75	11.45	8.20	20.15	16.308
19 way	8.85	25.00	12.31	8.70	21.40	17.412



RECOMMENDED NOMINAL PANEL CUT-OUT DETAILS.

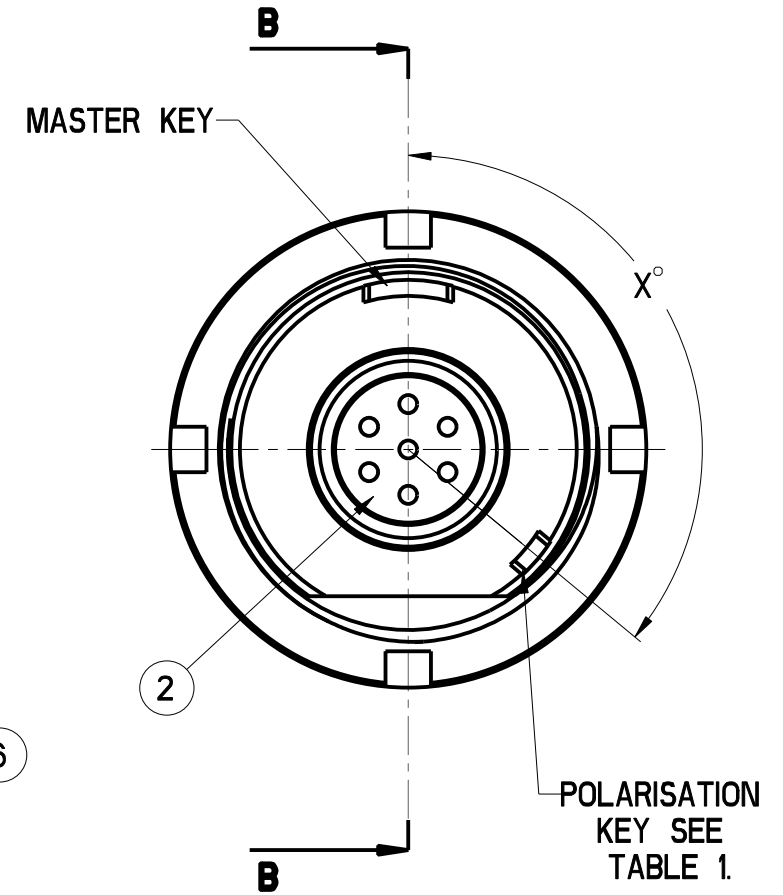
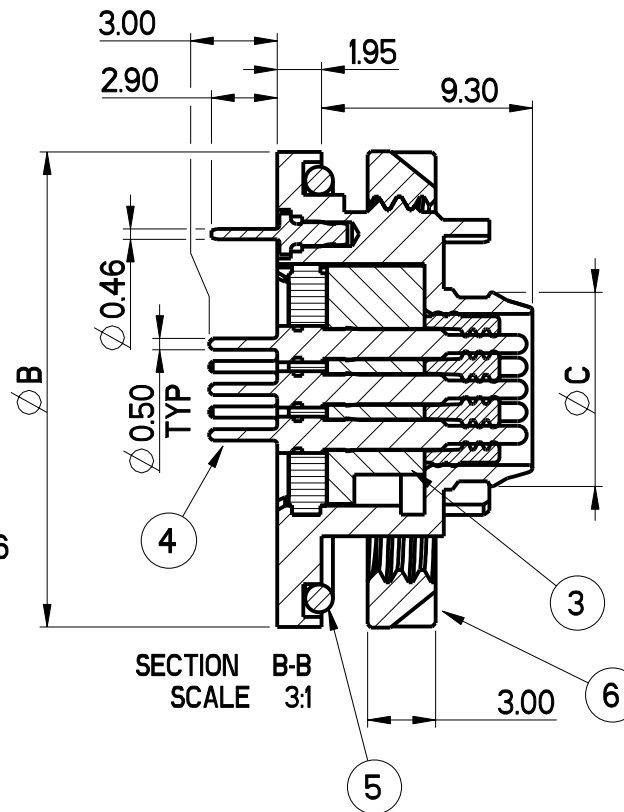
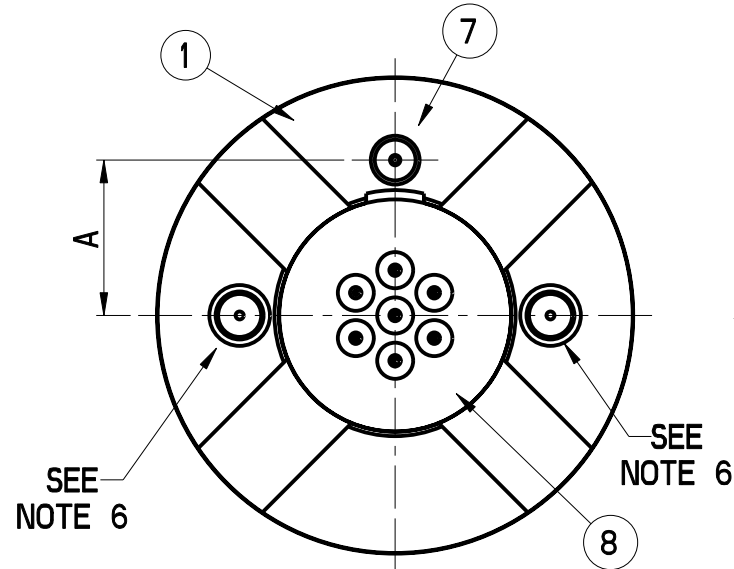
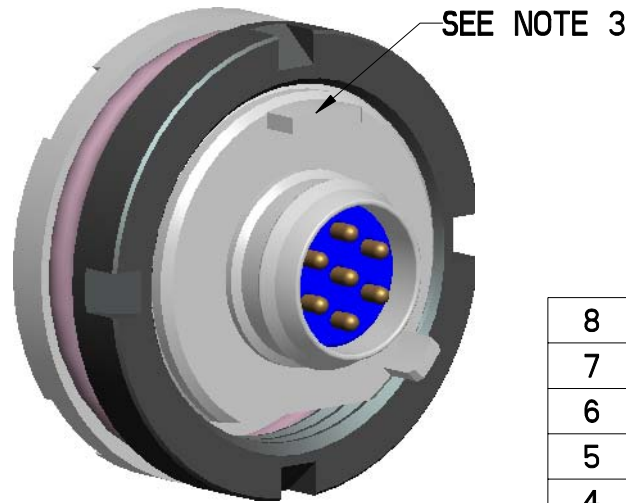


TABLE 1 - SEE NOTE 3

POLARISATION	X°	COLOUR CODE
N	130	DARK BLUE
A	117	RED
B	104	GREEN
C	91	GREY
D	230	YELLOW



SCALE 3:1

Item	Description	Qty	Material	Finish	Notes
8	POTTING	A/R	EPOXY	NATURAL	
7	PIN, GROUNDING	1	COPPER ALLOY	90/10 TIN/LEAD	
6	NUT, JAM	1	STAINLESS STEEL	BLACK ELECTROLESS NICKEL	
5	O RING	1	SILICONE	NATURAL	CONDUCTIVE
4	CONTACT, POGO	A/R	COPPER ALLOY	GOLD	
3	INSULATOR	1	POLYESTER	NATURAL	NOT SHOWN
2	SEAL, INTERFACIAL	1	FLOUROSILICONE	NATURAL	
1	SHELL	1	STAINLESS STEEL	BLACK ELECTROLESS NICKEL OR ELECTROLESS NICKEL	

- NOTES:-
- ALL DIMENSIONS ARE NOMINAL UNLESS OTHERWISE STATED.
 - DIMENSIONS ARE IN MILLIMETRES.
 - 7, 14 & 19 WAY LAYOUTS EACH HAVE UNIQUE POLARISATION ARRANGEMENTS TO PREVENT MISMATCHING. COLOUR CODED PAINT SURFACE IDENTIFIES DIFFERENT POLARISATION LAYOUTS (SEE TABLE 1).
 - CAVITY IDENT NUMBERS (SEE SHEET 2) ARE SHOWN FOR REFERENCE ONLY AND DO NOT APPEAR ON THE CONNECTORS.
 - VIEWS DEPICT THE 7-WAY VARIANT, POLARISATION N & SHELL STYLE 7.
 - ON THE BLACK VARIANTS LITTLE OR NO BLACK PLATING WILL APPEAR IN THESE HOLES.

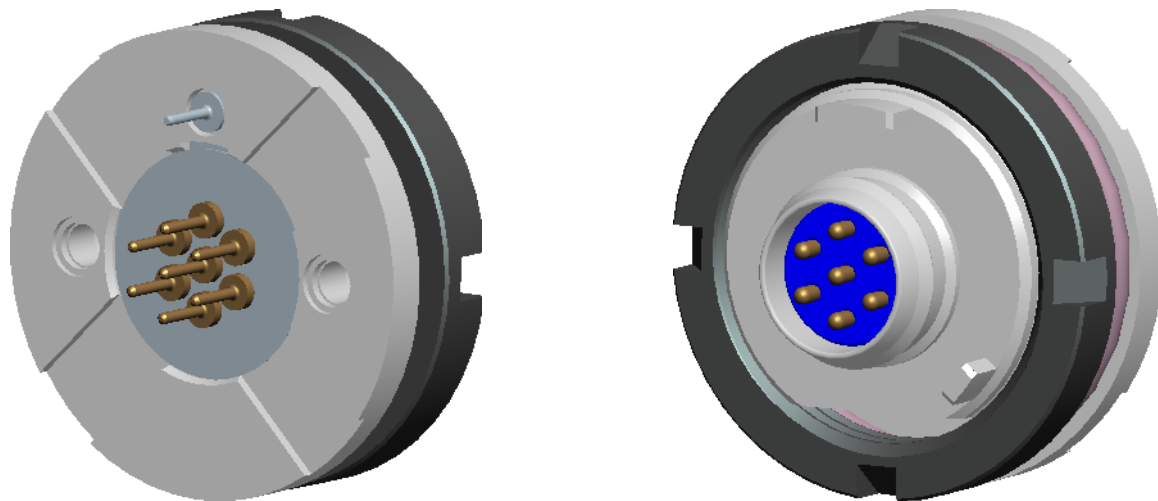
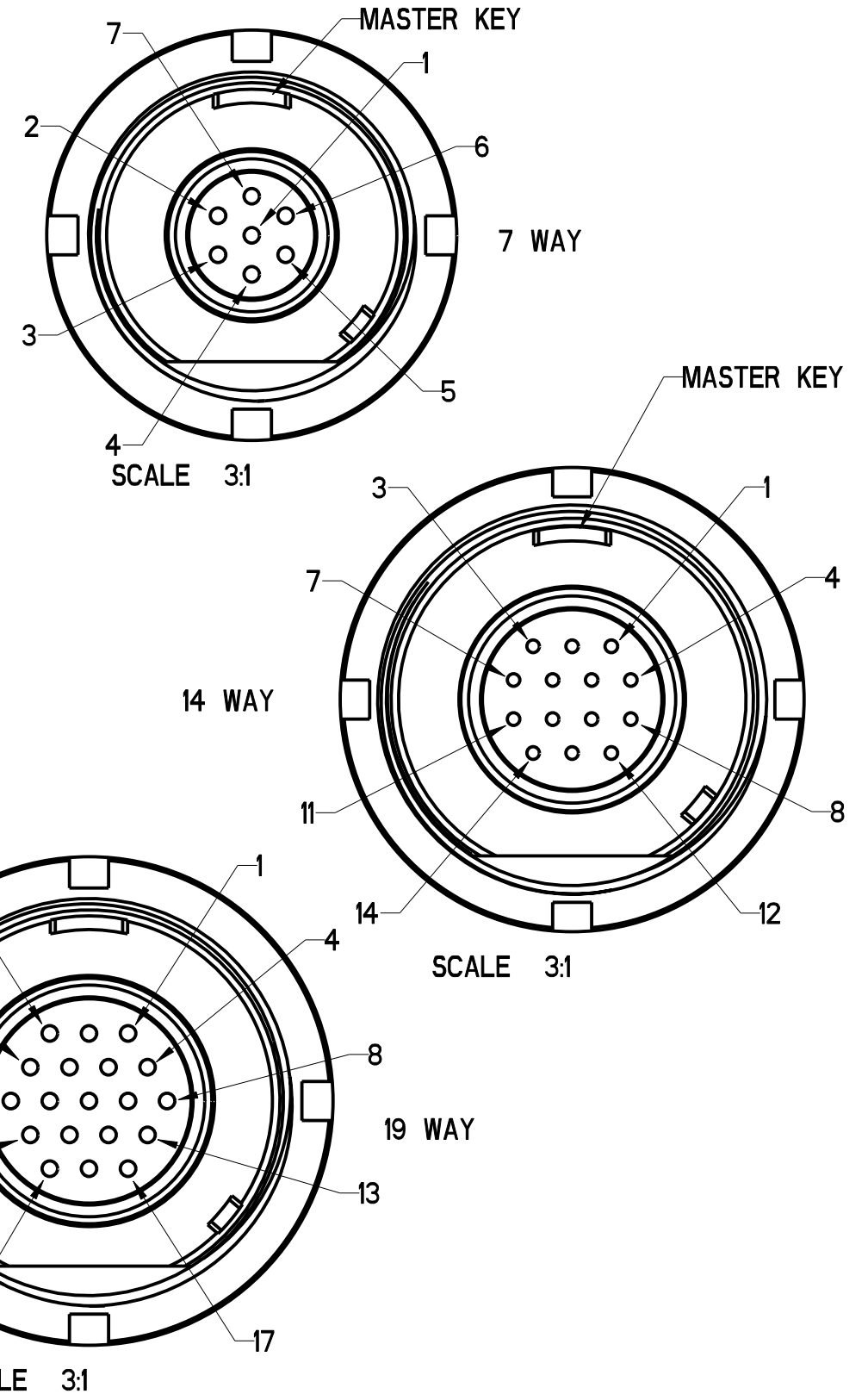
A	PRODUCTION RELEASE BASIO524.	DRP	20-Jun-2012	<p>JAYS CLOSE, VIABLES INDUSTRIAL ESTATE, BASINGSTOKE UK. RG22 4BA.</p>	<p>THIRD ANGLE PROJECTION</p> <p>DO NOT SCALE / IF IN DOUBT, ASK.</p> <p>LINEAR TOLERANCES X = ±0.4 X.X = ±0.2 X.XX = ±0.1</p> <p>ANGULAR TOLERANCES X = ±2° X.X = ±0.5°</p> <p>GENERAL UNLESS OTHERWISE STATED REMOVE BURRS AND BREAK SHARP EDGES 0.13 MAX.</p> <p>SURFACE FINISH: ✓</p> <p>ALL DIMENSIONS ARE IN "mm" UNLESS STATED</p>	<p>MATERIAL</p> <p>FINISH</p> <p>TREATMENT</p>	Ref.	CofG (x)	<p>FIRST USED ON - RD090402-351</p> <p>CUSTOMER USE DRAWING NEMESIS SPACE SAVER RECEPTACLE. 7, 14 & 19 WAY VARIANTS WITH SINGLE GROUND PIN.</p> <p>CU76306Y (MODEL No. 448-7869-000)</p>
	1	PRELIMINARY RELEASE	DRP				19-Jun-12	<p>MODEL</p> <p>DRAWN DRP</p> <p>CHK'd</p> <p>APPR'd</p>	

REVISIONS: REV ECR DETAILS

THIS IS ISSUED IN STRICT CONFIDENCE ON CONDITION THAT IT IS NOT USED AS A BASIS FOR MANUFACTURE OR SALE AND THAT IT IS NOT COPIED, PRINTED OR DISCLOSED TO A THIRD PARTY EITHER WHOLLY OR IN PART WITHOUT THE PRIOR WRITTEN CONSENT OF ITT CORPORATION © 19-JUN-12 ALL RIGHTS RESERVED.

			CONNECTOR ORDERING NOMENCLATURE							
TITLE	DESIGNATOR	DESCRIPTION	NEM-SS	SR	7	14	PG	N	T	B
PRODUCT	NEM-SS	NEMESIS								
COUPLING STYLE	SR	SNAP-ON/RIPAWAY								
SHELL STYLE	7	JAM NUT RECEPTACLE								
CONTACT ARRANGEMENT	7									
	14									
	19									
CONTACT TYPE	PG	POGO CONTACT								
POLARISATION POSITIONS	N	NORMAL								
	A,B,C,D,	ALTERNATIVES								
TERMINATION TYPE	T	STRAIGHT PCB TAILS								
	L	STRAIGHT PC TAILS WITH LOCATION PINS								
FINISH CODE	B	BLACK ELECTROLESS NICKEL								
	N	ELECTROLESS NICKEL								

STANDARD CONTACT LAYOUTS VIEWED FROM THE MATING FACE



SCALE 3:1

<p>JAYS CLOSE, VIABLES INDUSTRIAL ESTATE, BASINGSTOKE UK. RG22 4BA.</p>	THIRD ANGLE PROJECTION	DO NOT SCALE / IF IN DOUBT, ASK.	MATERIAL	Ref.	CofG (x)	FIRST USED ON - RD090402-351 CUSTOMER USE DRAWING NEMESIS SPACE SAVER RECEPTACLE. 7, 14 & 19 WAY VARIANTS WITH SINGLE GROUND PIN. CU76306Y (MODEL No. 448-7869-000)
	LINEAR TOLERANCES X = ±0.4 X.X = ±0.2 X.XX = ±0.1	GENERAL	STAINLESS STEEL BS_970_303S31	MODEL	CofG (y)	
	ANGULAR TOLERANCES X = ±2° X.X = ±0.5°	UNLESS OTHERWISE STATED REMOVE BURRS AND BREAK SHARP EDGES 0.13 MAX.	FINISH	DRAWN	CofG (z)	
	SURFACE FINISH: ✓	ALL DIMENSIONS ARE IN "mm" UNLESS STATED	TREATMENT	DRP	S.A.	
					22.064cm² (3.420in²)	SCALE 2:1 SHEET 2 of 2 Concept Rev 1.2
					1.410cm² (0.086in²)	
					11.326g (0.400oz)	

1	PRELIMINARY RELEASE	DRP	19-Jun-12
REV	ECR DETAILS	DRAWN	DATE

This is issued in strict confidence on condition that it is not used as a basis for manufacture or sale and that it is not copied printed or disclosed to a third party either wholly or in part without the prior written consent of ITT Corporation © 19-Jun-12 All rights reserved.

24-10-08 Rev G