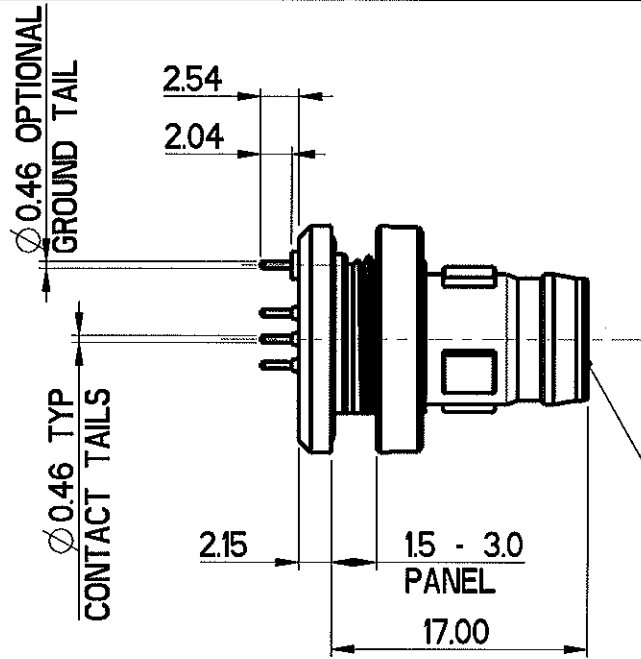
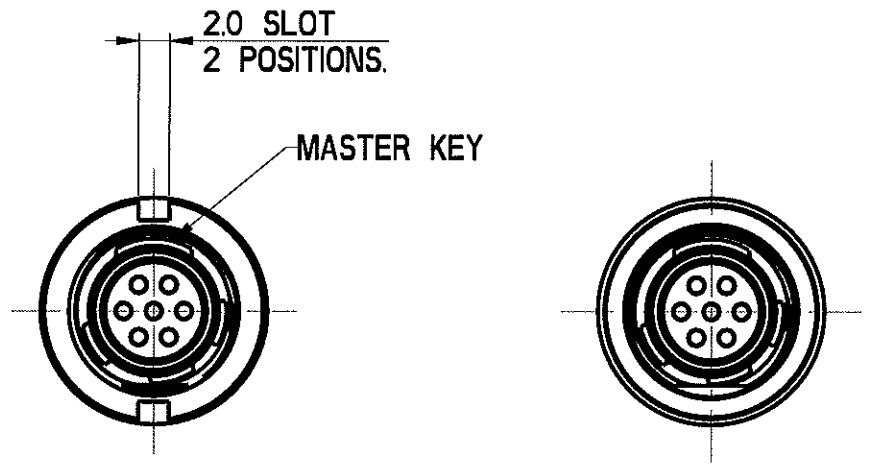


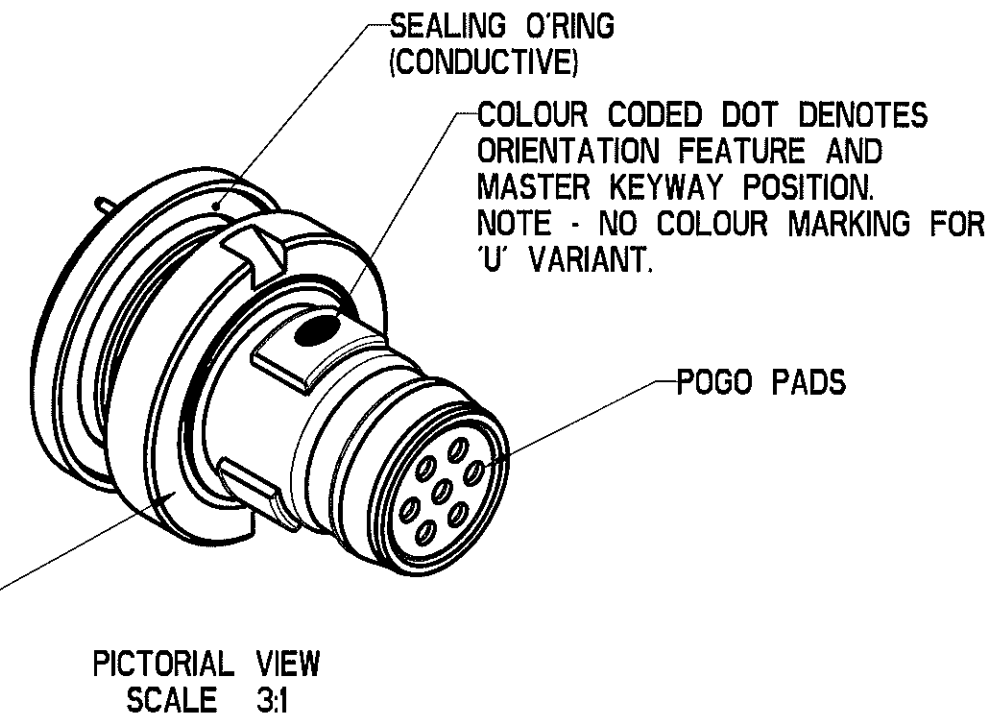
PANEL CUTOUT
SEE TABLE 3



RECEPTACLE CONSISTS OF :-
SHELLS - STAINLESS STEEL
CONTACTS - COPPER ALLOY
SEALS - FLOUROSILICONE RUBBER
INSULATORS - POLYESTER



VIEW WITH JAM NUT
NOT SHOWN



PICTORIAL VIEW
SCALE 3:1

NOTES:-

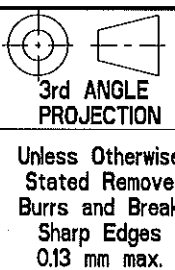
1. ALL DIMENSIONS ARE NOMINAL UNLESS OTHERWISE STATED
2. DIMENSIONS ARE IN MILLIMETERS
3. POLARISATION KEYING ARRANGEMENTS (N,A,B,C & D). NOTE - 'U' ORIENTATION SHOWN IS A UNIVERSAL KEYING WHERE THERE WILL BE NO MINOR KEYS.
4. CONNECTOR VIEW IMAGES DEPICT THE 7 WAY VARIANT
5. IP67 SEALED

POLARISATION LETTER	COLOUR CODING PAINT BAND
N	BLUE
A	RED
B	GREEN
C	GREY
D	YELLOW
U	N/A

CONTACT ARRANGEMENT	DIMENSION A	DIMENSION D
7	∅15.00 mm	4.90 mm
14	∅18.00 mm	6.40 mm
19	∅19.50 mm	6.90 mm

CONNECTOR SIZE	DIMENSION B	DIMENSION C
7	10.70 mm	∅11.60mm
14	13.70 mm	∅14.60 mm
19	15.15 mm	∅16.10 mm

Rev	ECO / DCN Details	Drawn	Date	Chk'd
A	BAS10364	JS	25-MAY-11	JS
6	'U' ORIENTATION ADDED.	JS	16-MAY-11.	
5	UPDATED	PJ	16-Dec-09	----
4	DIMENSIONS A, B & C UPDATED	PJ	26-Aug-09	----
3	CONTACT PINS ARRANGEMENT MODIFIED AND MOVED TO SHEET 2	PJ	04-Aug-09	----
2	TABLE 3, CONTACT PIN No. AND DIMS ADDED DRAWING TITLE MODIFIED	PJ	30-Jul-09	----
1	PRELIMINARY RELEASE	PJ	22-Jul-09	----



Material SEE COMPONENT DRAWING	Drawing Tolerance Unless Otherwise Stated	Dimensions are in mm
Finish SEE COMPONENT DRAWING	Metric X : ±0.40 X.X : ±0.20 X.XX : ±0.10	Imperial X or X.X : ±0.020 X.XX : ±0.010 X.XXX : ±0.005
Treatment N/A	Angles X° : ±2° X.X° : ±0.5°	Surface Finish 1.1

This is issued in strict confidence on condition that it is not used as a basis for manufacture or sale and that it is not copied printed or disclosed to a third party either wholly or in part without the prior written consent of ITT Corporation © 22-Jul-09 All rights reserved.

ITT
JAYS CLOSE,
VIBLES INDUSTRIAL ESTATE,
BASINGSTOKE UK. RG22 4BA.

Total Vol : 1612.455 mm ³	Total Surf Area : 0.000 mm ² Not Available
Calculated Mass : 9.104 grams	Title CUSTOMER USE DRAWING NEMESIS SC - JAM NUT RECEPTACLE 7, 14 & 19 WAY
Drg No. CU76248Y	Original Scale 2:1
Sheet 1 of 2	

A

B

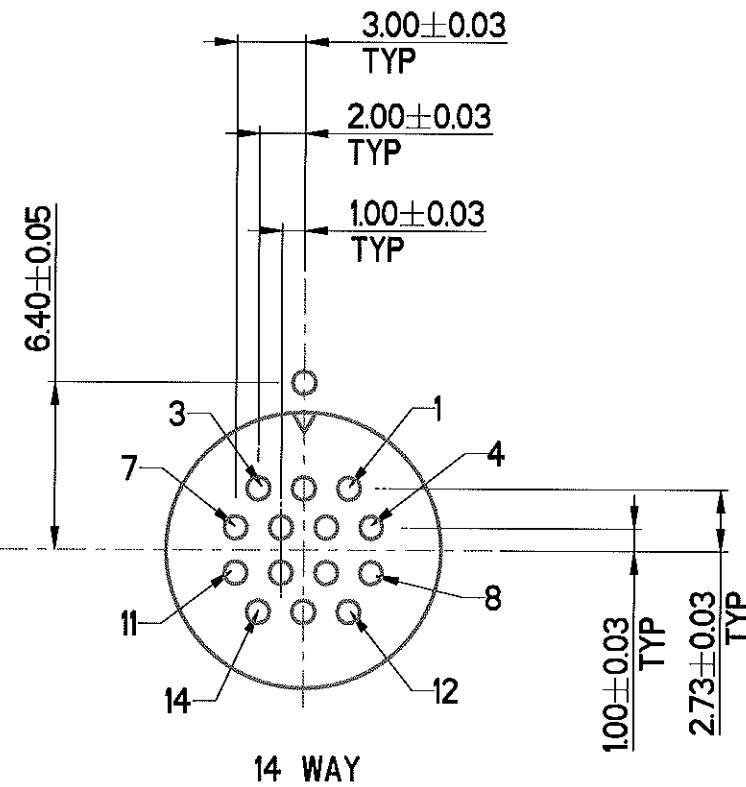
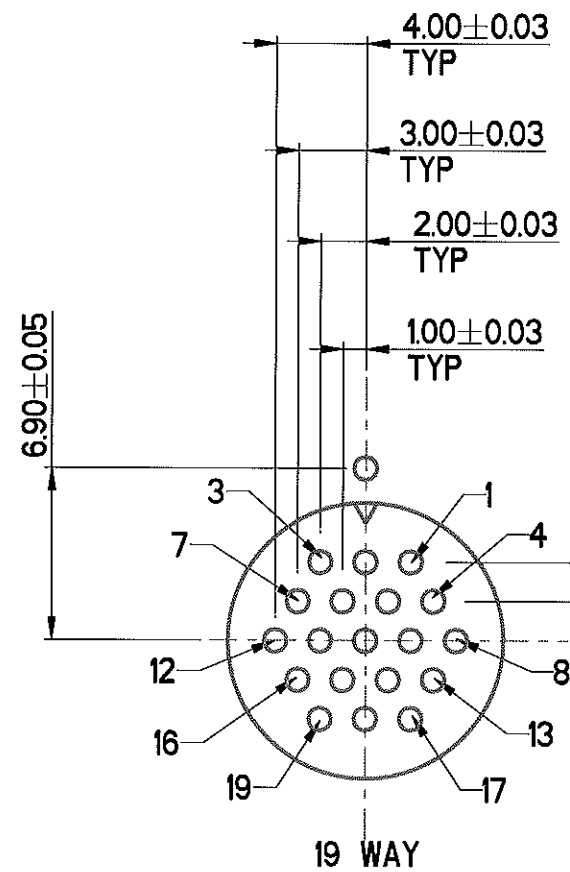
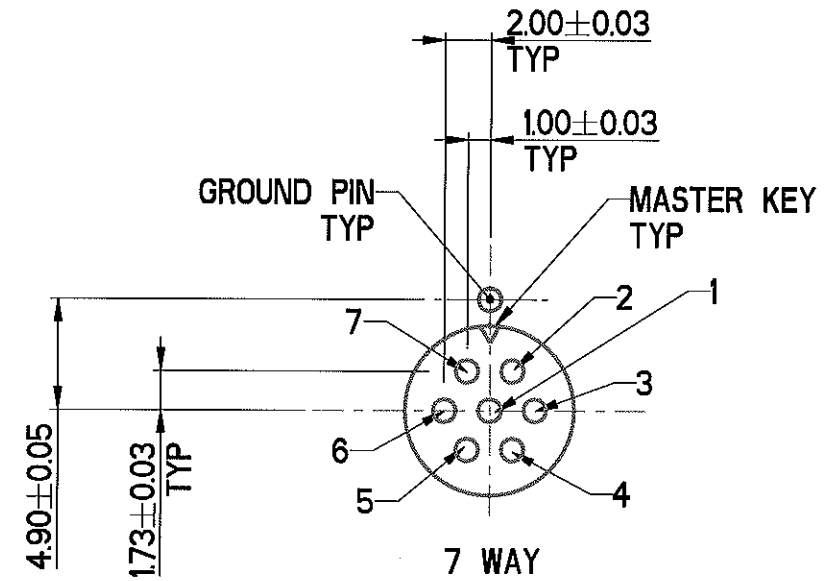
C

D

E

24-10-08 Rev E

STANDARD CONTACT LAYOUTS
VIEWED FROM THE MATING FACE
(NOT TO SCALE)



<p>3rd ANGLE PROJECTION</p>	Material	Drawing Tolerance Unless Otherwise Stated		Dimensions are in mm Surface Finish 1.6	Total Vol : 0.000 mm ³ Total Surf Area : 0.000 mm ² Calculated Mass : 0.000 grams
	Finish	Metric	Imperial		
Unless Otherwise Stated Remove Burrs and Break Sharp Edges 0.13 mm max.	Treatment	X : ±0.40 X.X : ±0.20 X.XX : ±0.10	X or XX : ±0.020 X.XX : ±0.010 X.XXX : ±0.005	X° : ±2° X.X° : ±0.5°	Title CUSTOMER USE DRAWING PCB LAYOUT FOR JAM NUT RECEPTACLE - NEMESIS SUPER CLEAN CONNECTOR 7, 14 & 19 WAY
Rev SEE SHEET 1 ECO / DCN Details	Drawn SS PJ Date 22-Jul-09 Chk'd ----	Ref	Treatment N/A	This is issued in strict confidence on condition that it is not used as a basis for manufacture or sale and that it is not copied printed or disclosed to a third party either wholly or in part without the prior written consent of ITT Corporation © 03-Aug-09 All rights reserved.	Drg No. CU76248Y Original Scale 3:1 Sheet 2 of 2

DO NOT SCALE / IF IN DOUBT ASK

