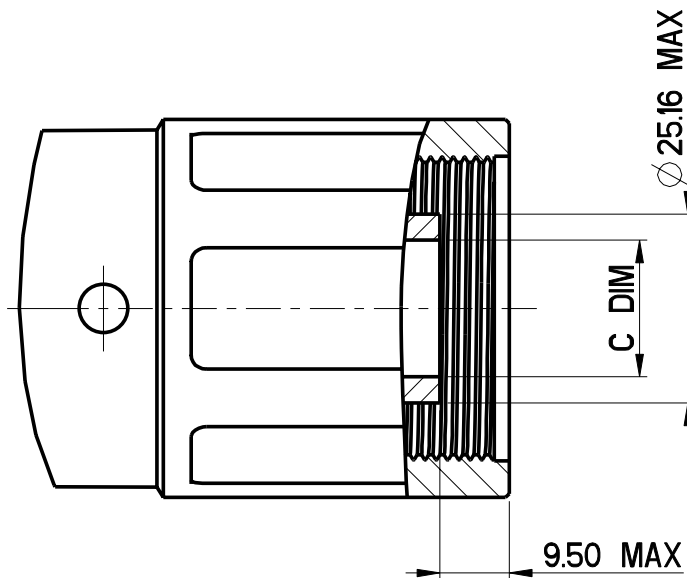


CRIMP CONTACT

M40 CABLE GLAND

CONTACT TYPE	CONTACT DIMENSIONS		
	A MIN	B MAX	C MIN
CRIMP			
NLDFT-X-XX-L-C35-M40X	9.40	13.22	
NLDFT-X-XX-L-C50-M40X	11.10	14.90	
NLDFT-X-XX-L-C70-M40X	13.00	18.10	
NLDFT-X-XX-L-C95-M40X	14.80	19.80	
NLDFT-X-XX-L-C120-M40X	16.50	20.10	
NLDFT-X-XX-L-C107-M40X	16.50	21.36	
NLDFT-X-XX-L-C150-M40X	18.50	23.56	
NLDFT-X-XX-L-C185-M40X	20.90	25.50	
NLDFT-X-XX-L-C240-M40X	23.90	30.16	
SET SCREW			
R35 REDUCTION KIT			8.75
R50 REDUCTION KIT			11.50
R70 REDUCTION KIT			14.00
R95 REDUCTION SLEEVE			15.90
NLDFT-X-XX-L-S120-M40X			18.20



SET SCREW CONTACT

PART NUMBER CODE STRUCTURE

NLDFT-X-XX-L-XXXX-M40X

NLDFT-X-XX-L-XXXX-M40X

ADD CABLE GLAND TYPE CODE (S, A OR B)

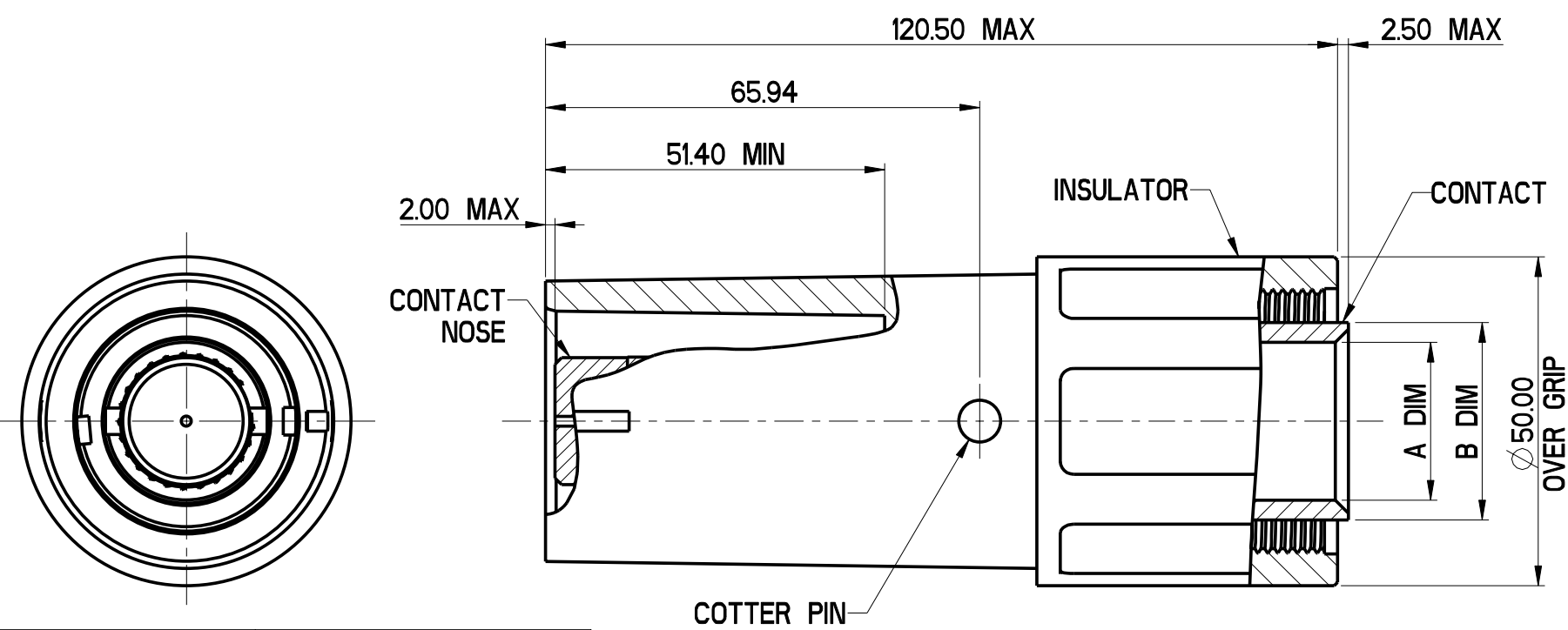
INSERT CONTACT SIZE CODE (e.g. C35)

INSERT COLOUR CODE (e.g. GN)

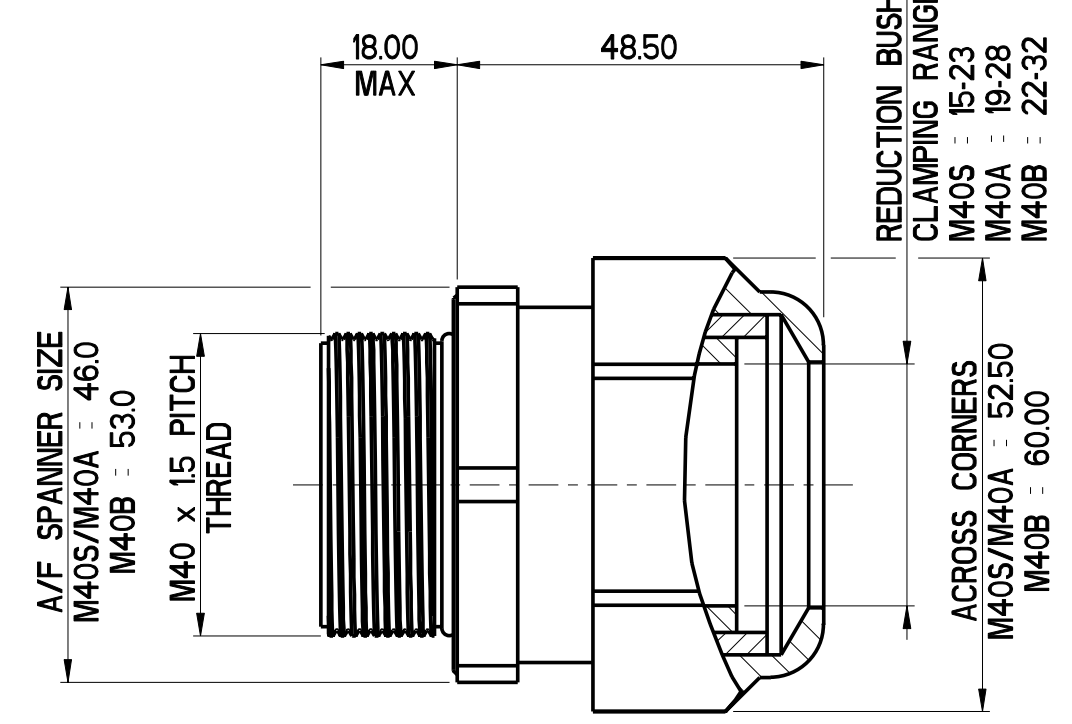
INSERT KEY POSITION CODE (E, N, 1, 2 OR 3)

WARNING
This Copy will not be kept up-to-date.

DO NOT SCALE			Total Volume	Total Surface Area	PDM: 0+	A3/B	
Drawn	KE	06-Apr-06	Material: SEE DRG		Jays Close, Viabes Estate, Basingstoke, Hants. RG22 4BA, UK	Pro/E Generic Model	
Checked	MDS	06-Apr-06				Title	POWERLOCK LINE DRAIN CONNECTOR ASSEMBLY M40 VERSION
Engineer.	KE	06-Apr-06				Ref:	
Manufact.	MT	06-Apr-06	Treatment: SEE DRG			Scale 1:1	Sheet 1 of 1
Assembly	MT	06-Apr-06	Quality JS 06-Apr-06			Drwg. No.	SR1840
Approvals	Sign	Date	Dimensions in: mm	Cust Spec No:		iss/rev	
			This is issued in strict confidence on condition that it is not used as a basis for manufacture or sale and that it is not copied reprinted or disclosed to a third party either wholly or in part without the prior written consent of ITT Industries © 06-Apr-06				

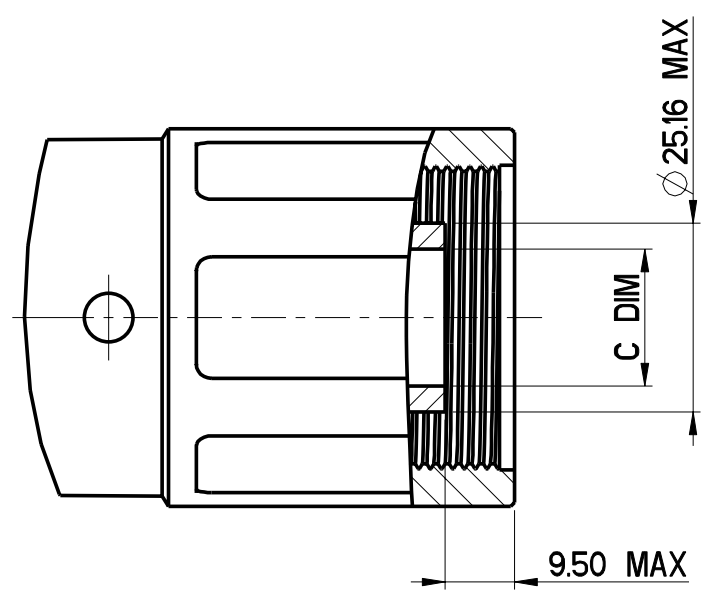


CRIMP CONTACT



M40 CABLE GLAND

CONTACT TYPE	CONTACT DIMENSIONS		
CRIMP	A MIN	B MAX	C MIN
NLS-X-XX-C35-M40X	9.40	13.22	
NLS-X-XX-C50-M40X	11.10	14.90	
NLS-X-XX-C70-M40X	13.00	18.10	
NLS-X-XX-C95-M40X	14.80	19.80	
NLS-X-XX-C120-M40X	16.50	20.10	
NLS-X-XX-C107-M40X	16.50	21.36	
NLS-X-XX-C150-M40X	18.50	23.56	
NLS-X-XX-C185-M40X	20.90	25.50	
NLS-X-XX-C240-M40X	23.90	30.16	
SET SCREW			
R35 REDUCTION KIT			8.75
R50 REDUCTION KIT			11.50
R70 REDUCTION KIT			14.00
R95 REDUCTION SLEEVE			15.90
NLS-X-XX-S120-M40X			18.20



SET SCREW CONTACT

PART NUMBER CODE STRUCTURE
 NLS-X-XX-XXXX-M40X

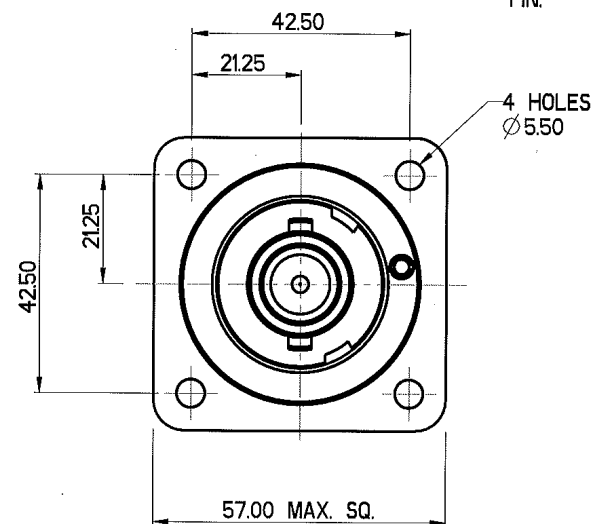
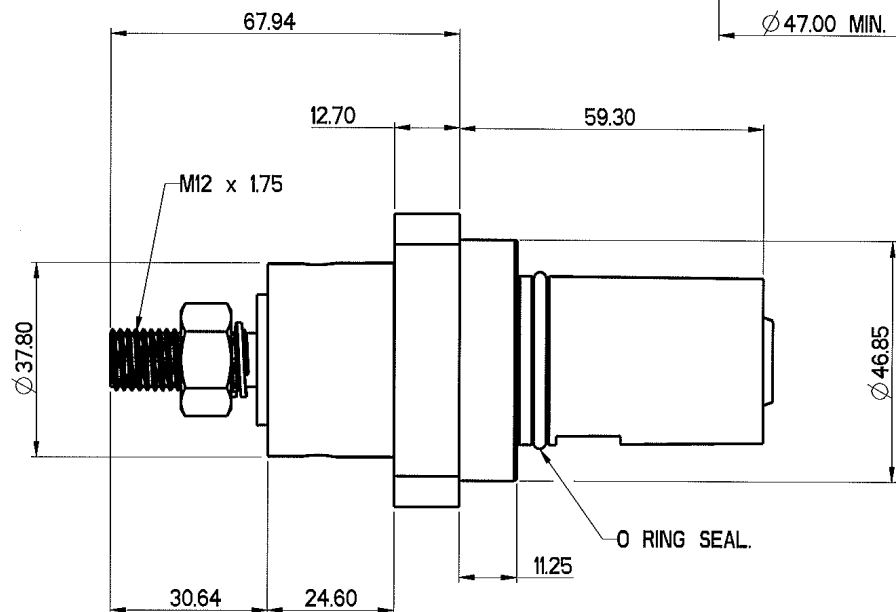
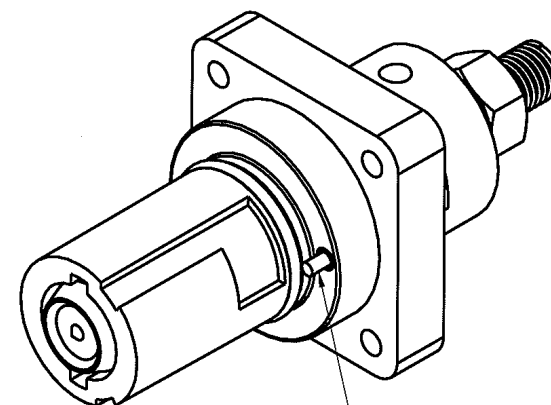
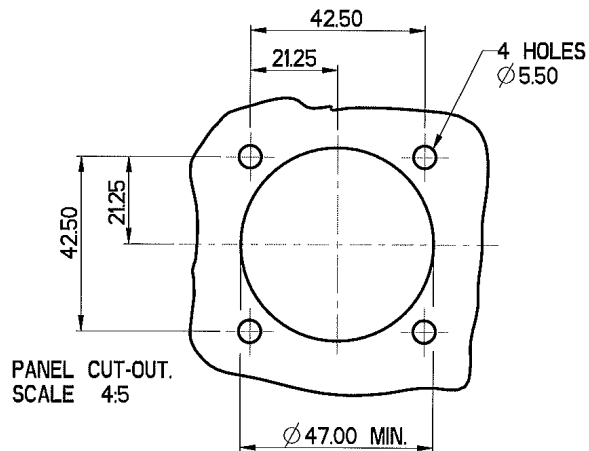
NLS-X-XX-XXXX-M40X

- ADD CABLE GLAND TYPE CODE (S, A OR B)
- INSERT CONTACT SIZE CODE (e.g. C35)
- INSERT COLOUR CODE (e.g. GN)
- INSERT KEY POSITION CODE (E, N, 1, 2 OR 3)

WARNING
 This Copy will not be kept up-to-date.

DO NOT SCALE			Total Volume	Total Surface Area	PDM: 0+	A3/B
Drawn	KE	06-Apr-06	Material: SEE DRG		Jays Close, Viabes Estate, Basingstoke, Hants. RG22 4BA, UK	Pro/E Generic Model
Checked	MDS	06-Apr-06				Title POWERLOCK LINE SOURCE CONNECTOR ASSEMBLY M40 VERSION
Engineer.	KE	06-Apr-06	Treatment: SEE DRG	Ref:	Scale 1:1 Sheet 1 of 1	Drwg. No. SR1841
Manufact.	MT	06-Apr-06				iss/rev A
Assembly	MT	06-Apr-06	Dimensions in: mm	Cust Spec No:		
Quality	JS	06-Apr-06				
Approvals	Sign	Date	This is issued in strict confidence on condition that it is not used as a basis for manufacture or sale and that it is not copied reprinted or disclosed to a third party either wholly or in part without the prior written consent of ITT Industries © 06-Apr-06			

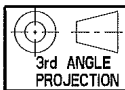
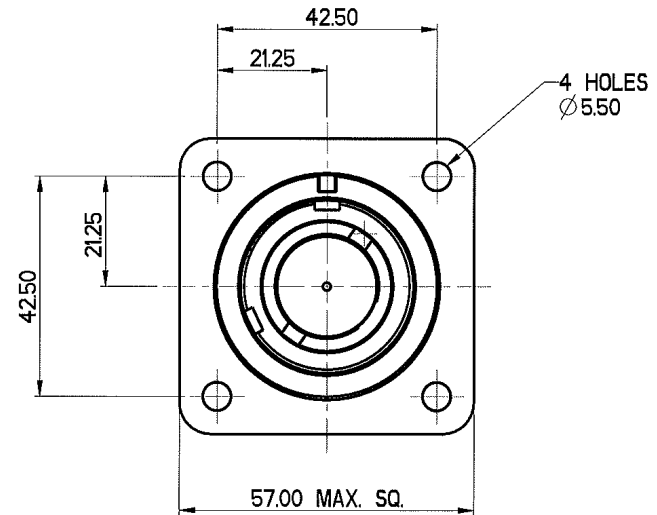
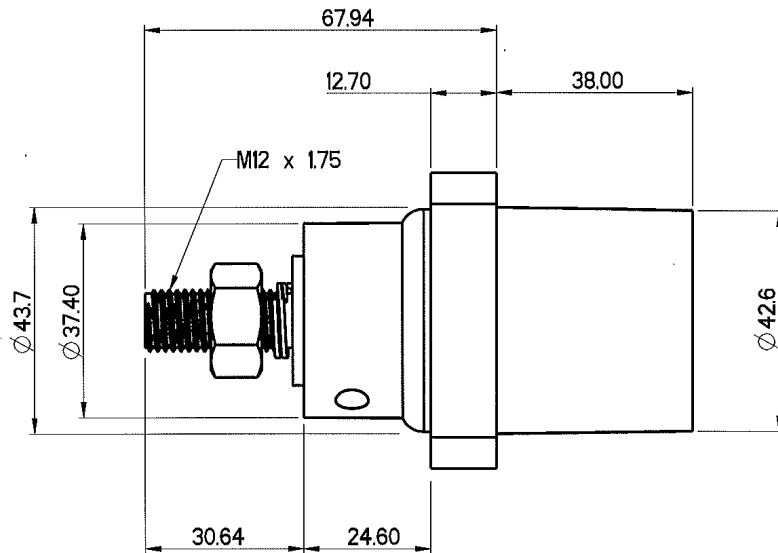
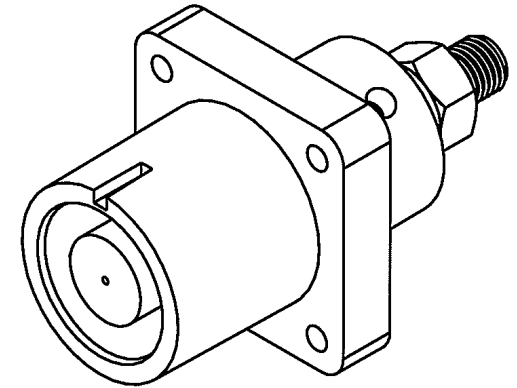
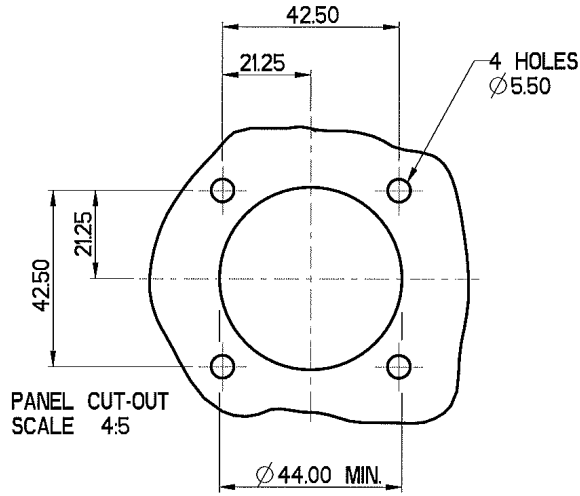
NOTE
1. DIMENSIONS ARE NOMINAL UNLESS STATED OTHERWISE.



<p>3rd ANGLE PROJECTION</p>	<p>Material</p>	<p>Drawing Tolerance Unless Otherwise Stated</p>			<p>Dimensions are in mm</p>	<p>Total Vol : 0.000 mm³</p>
		<p>Finish</p>	<p>Metric</p>	<p>Imperial</p>		
<p>Unless Otherwise Stated Remove Burrs and Break Sharp Edges 0.13 mm max.</p>	<p>Treatment</p>	<p>X : ±0.40</p>	<p>X or XX : ±0.020</p>	<p>X° : ±2°</p>	<p>✓</p>	<p>Calculated Mass : Not Available grams</p>
<p>Rev ECO / DCN Details</p>	<p>Drawn JS</p>	<p>15-Nov-07</p>	<p>15-Nov-07</p>	<p>© ITT Corporation</p>	<p>ITT</p>	<p>Title</p>
<p>Ref</p>	<p>DO NOT SCALE / IF IN DOUBT ASK</p>	<p>All rights reserved.</p>	<p>JAYS CLOSE</p>	<p>VIABLES INDUSTRIAL ESTATE, BASINGSTOKE UK RG22 4BA</p>	<p>DRG No. SR1842</p>	<p>Original Scale 1:1</p>
<p>Sheet 1 of 1</p>	<p>Sheet 1 of 1</p>	<p>Sheet 1 of 1</p>	<p>Sheet 1 of 1</p>	<p>Sheet 1 of 1</p>	<p>Sheet 1 of 1</p>	<p>Sheet 1 of 1</p>

24-0008 Rev E

NOTE
1. DIMENSIONS ARE NOMINAL UNLESS STATED OTHERWISE.



Unless Otherwise Stated Remove Burrs and Break Sharp Edges 0.13 mm max.

Material

Finish

Treatment

Drawing Tolerance Unless Otherwise Stated

Metric		Imperial		Angles	
X	: ±0.40	X or XX	: ±0.020	X°	: ±2°
XX	: ±0.20	XXX	: ±0.010	XX"	: ±0.5°
XXX	: ±0.10	XXXX	: ±0.005		

This is issued in strict confidence on condition that it is not used as a basis for manufacture or sale and that it is not copied printed or disclosed to a third party either wholly or in part without the prior written consent of ITT Corporation.
15-Nov-07
All rights reserved.



Dimensions are in mm

Surface Finish

Total Vol : 0.000 mm ³
Total Surf Area : mm ²
Calculated Mass : Not Available grams

Title
POWERLOCK PANEL SOURCE CONNECTOR.

Drg No. **SR1843**

Original Scale 1:1 Sheet 1 of 1

A	K6427	JS	15-Nov-07	SS
Rev	ECO / DCN Details	Drawn	Date	Chk'd

Ref DO NOT SCALE / IF IN DOUBT ASK