

**NOTE**  
 1. DIMENSIONS ARE NOMINAL UNLESS STATED OTHERWISE.  
 2. TO SUIT 10mm SQ. CABLE TO 70mm SQ. CABLE.

**PART NUMBER CODE STRUCTURE.**  
 SNLF - S - XXX - XXX - XX

**COLOUR CODE:-**

(R = Red, BK = Black, Y = Yellow GN = Green, BL = Blue, BN = Brown, GR = Grey, W = White).

**CABLE GRIP :-** 25S = 10mm to 14mm O/D  
 25L = 13mm to 18mm O/D.

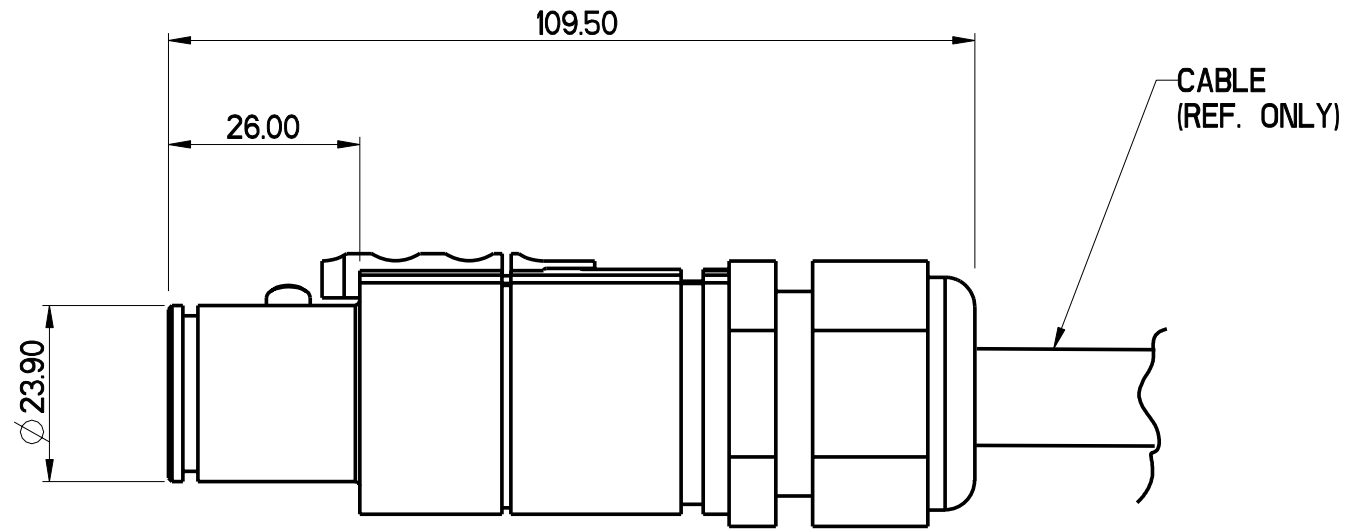
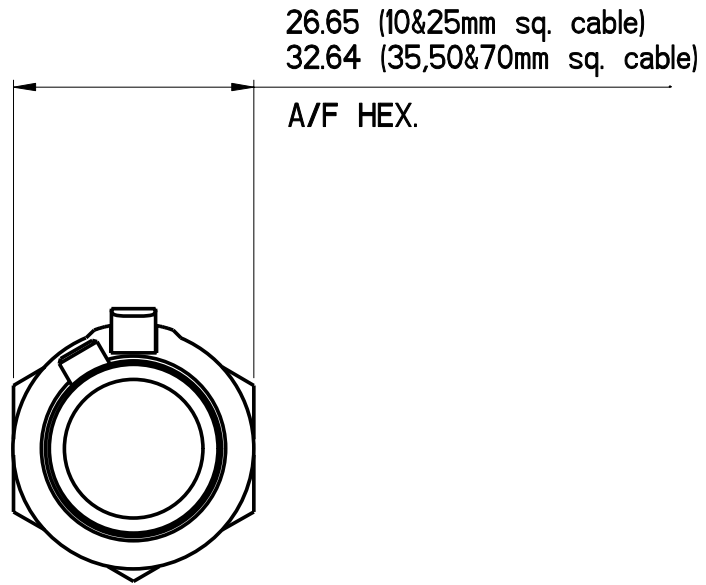
**CONTACT SIZE :-**

CRIMP - C10 = 10mm CABLE, C25 = 25mm CABLE, C35 = 35mm CABLE,  
 C50 = 50mm CABLE, C70 = 70mm CABLE.

SET SCREW - S10 = 10mm CABLE, S25 = 25mm CABLE, S35 = 35mm CABLE,  
 S50 = 50mm CABLE, S70 = 70mm CABLE.

A	BAS10098	JS	13-Jan-09	----	<p>3rd ANGLE PROJECTION</p> <p>Unless Otherwise Stated Remove Burrs and Break Sharp Edges 0.13 mm max.</p>	Material	<p><b>Drawing Tolerance Unless Otherwise Stated</b></p> <table border="1"> <tr> <th>Metric</th> <th>Imperial</th> <th>Angles</th> </tr> <tr> <td>X = ±0.40</td> <td>X or XX = ±0.020</td> <td>X° = ±2°</td> </tr> <tr> <td>XX = ±0.20</td> <td>XXX = ±0.010</td> <td>XX° = ±0.5°</td> </tr> <tr> <td>XXX = ±0.10</td> <td>XXXX = ±0.005</td> <td></td> </tr> </table>	Metric	Imperial	Angles	X = ±0.40	X or XX = ±0.020	X° = ±2°	XX = ±0.20	XXX = ±0.010	XX° = ±0.5°	XXX = ±0.10	XXXX = ±0.005		Dimensions are in mm	Total Vol = 0.000 mm <sup>3</sup>
	Metric	Imperial	Angles																		
X = ±0.40	X or XX = ±0.020	X° = ±2°																			
XX = ±0.20	XXX = ±0.010	XX° = ±0.5°																			
XXX = ±0.10	XXXX = ±0.005																				
Rev	ECO / DCN Details	Drawn	Date	Chk'd	Treatment	Finish	Surface Finish	Total Surf Area = mm <sup>2</sup>													
					Ref	DO NOT SCALE / IF IN DOUBT ASK	<p><b>ITT</b>                  JAYS CLOSE,                  VIABLES INDUSTRIAL ESTATE,                  BASINGSTOKE UK. RG22 4BA.</p>	Calculated Mass = Not Available grams													
							Title														
							SNAPLOCK - FREE SOCKET CONNECTOR, CRIMP AND SET SCREW.														
							Drg No. CU078217-0XXX														
							Original Scale 1:1 Sheet 1 of 1														

This is issued in strict confidence on condition that it is not used as a basis for manufacture or sale and that it is not copied printed or disclosed to a third party either wholly or in part without the prior written consent of ITT Corporation © 13-Jan-09 All rights reserved.



**NOTE**  
1. DIMENSIONS ARE NOMINAL UNLESS STATED OTHERWISE.  
2. TO SUIT 10mm SQ. CABLE TO 70mm SQ. CABLE.

**PART NUMBER CODE STRUCTURE**  
SNLM - P - XXX - XXX - XX

**COLOUR CODE:-**  
(R = Red, BK = Black, Y = Yellow, GN = Green,  
BL = Blue, BN = Brown, GR = Grey, W = White).

**CABLE GRIP :-**  
25S = 10mm to 14mm O/D  
25L = 13mm to 18mm O/D

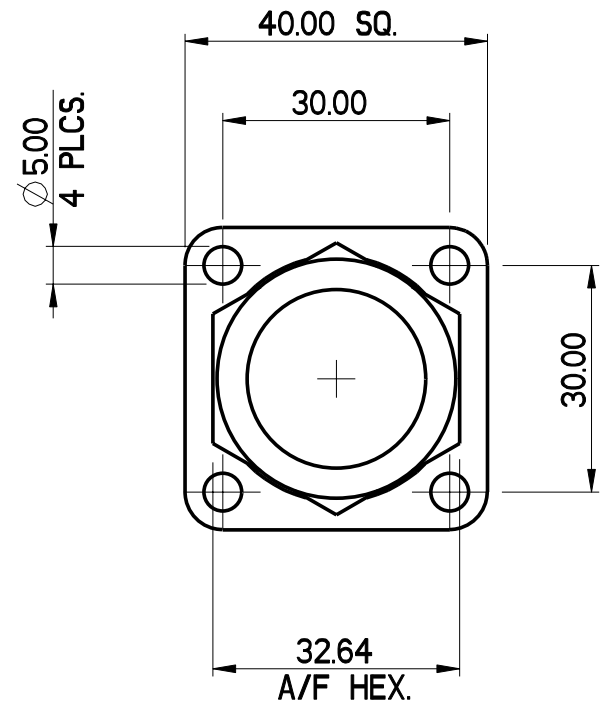
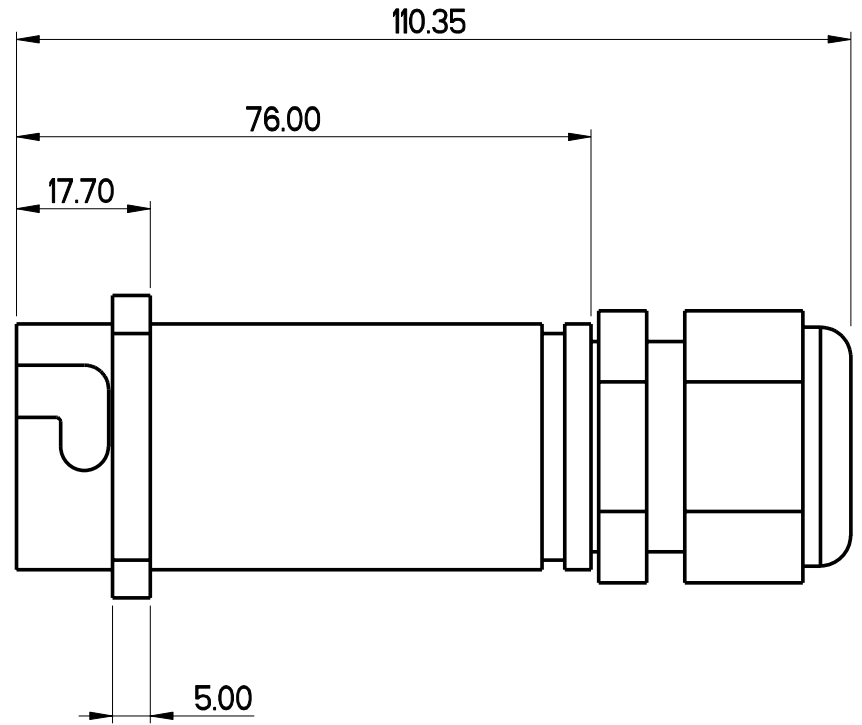
**CONTACT SIZE:-**  
CRIMP - C10 = 10mm CABLE, C25 = 25mm CABLE, C35 = 35mm CABLE,  
C50 = 50mm CABLE, C70 = 70mm CABLE.  
SET SCREW - S10 = 10mm CABLE, S25 = 25mm CABLE, S35 = 35mm CABLE,  
S50 = 50mm CABLE, S70 = 70mm CABLE.

A	BAS10098	JS	13-Jan-09	----	<p>3rd ANGLE PROJECTION</p> <p>Unless Otherwise Stated Remove Burrs and Break Sharp Edges 0.13 mm max.</p>	<p>Material</p> <hr/> <p>Finish</p> <hr/> <p>Treatment</p>	<p>Drawing Tolerance Unless Otherwise Stated</p> <table border="1"> <tr> <th>Metric</th> <th>Imperial</th> <th>Angles</th> </tr> <tr> <td>X = ±0.40</td> <td>X or XX = ±0.020</td> <td>X° = ±2°</td> </tr> <tr> <td>XX = ±0.20</td> <td>XXX = ±0.010</td> <td>XX° = ±0.5°</td> </tr> <tr> <td>XXX = ±0.10</td> <td>XXXX = ±0.005</td> <td></td> </tr> </table>	Metric	Imperial	Angles	X = ±0.40	X or XX = ±0.020	X° = ±2°	XX = ±0.20	XXX = ±0.010	XX° = ±0.5°	XXX = ±0.10	XXXX = ±0.005		<p>Dimensions are in mm</p> <p>Surface Finish</p> <p>✓</p>	<p>Total Vol = 0.000 mm<sup>3</sup></p> <p>Total Surf Area = mm<sup>2</sup></p> <p>Calculated Mass = Not Available grams</p> <p>Title</p> <p><b>SNAPLOCK - FREE CABLE PLUG. CRIMP AND SET SCREW CONTACT.</b></p>
	Metric	Imperial	Angles																		
X = ±0.40	X or XX = ±0.020	X° = ±2°																			
XX = ±0.20	XXX = ±0.010	XX° = ±0.5°																			
XXX = ±0.10	XXXX = ±0.005																				
Rev	ECO / DCN Details	Drawn	Date	Chk'd	Ref	DO NOT SCALE / IF IN DOUBT ASK	<p><b>ITT</b> JAYS CLOSE, VIABLES INDUSTRIAL ESTATE, BASINGSTOKE UK. RG22 4BA.</p>	<p>Drg No. <b>CU078217-1XXX</b></p> <p>Original Scale 1:1</p> <p>Sheet 1 of 1</p>													

A

B

C



**NOTE**  
1. DIMENSIONS ARE NOMINAL UNLESS STATED OTHERWISE.

*Advance copy*  
*Advance copy*

1	PRELIMINARY RELEASE	JS	06-Sep-07	----
Rev	ECO / DCN Details	Drawn	Date	Chk'd

<p>3rd ANGLE PROJECTION</p>	Material	Drawing Tolerance Unless Otherwise Stated Metric: X = ±0.40, XX = ±0.20, XXX = ±0.10, XXXX = ±0.05 Imperial: X or XX = ±0.020, XXX = ±0.010, XXXX = ±0.005		Angles: X° = ±2°, XX° = ±0.5°	Dimensions are in mm Surface Finish: ✓	Total Vol : 0.000 mm <sup>3</sup> Total Surf Area : mm <sup>2</sup> Calculated Mass : Not Available grams
	Unless Otherwise Stated Remove Burrs and Break Sharp Edges 0.13 mm max. Finish: Treatment:	This is issued in strict confidence on condition that it is not used as a basis for manufacture or sale and that it is not copied printed or disclosed to a third party either wholly or in part without the prior written consent of ITT Corporation © 06-Sep-07 All rights reserved.		<p><b>ITT</b> JAYS CLOSE, VIABLES INDUSTRIAL ESTATE, BASINGSTOKE UK, RG22 4BA</p>	Title: <b>SNAPLOCK - FEMALE PANEL CONNECTOR WITH C35mm CONTACT FOR 13 - 18mm CABLE.</b> Drg No. <b>SNPFL S_C35_25L_R</b>	
Ref	DO NOT SCALE / IF IN DOUBT ASK				Original Scale 1:1	Sheet 1 of 1

2-4-07 Rev E

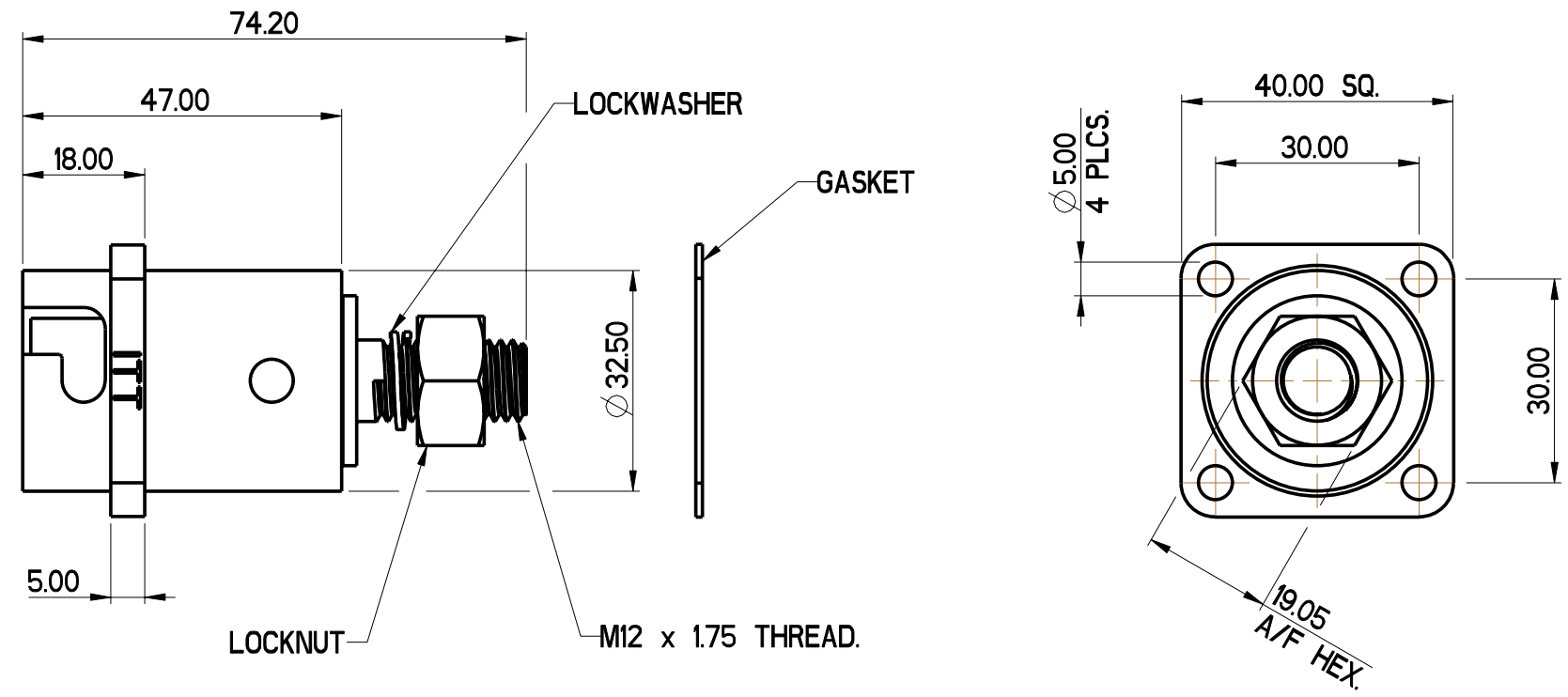
A

B

C

D

E



NOTE  
1. DIMENSIONS ARE NOMINAL UNLESS STATED OTHERWISE.

PART NUMBER CODE STRUCTURE

SNPF - S - TP - XX

COLOUR CODE:-

(R = Red, BK = Black, Y = Yellow, GN = Green,  
BL = Blue, BN = Brown, GR = Grey.)

<p>3rd ANGLE PROJECTION</p>	Material	Drawing Tolerance Unless Otherwise Stated		Dimensions are in mm	Total Vol : 0.000 mm <sup>3</sup>
	Finish	Metric	Imperial	Angles	Total Surf Area : mm <sup>2</sup>
Unless Otherwise Stated Remove Burrs and Break Sharp Edges 0.13 mm max.	Treatment	X ±0.40 XX ±0.20 XXX ±0.10	X or XX ±0.020 XXX ±0.010 XXXX ±0.005	X° : ±2° XX° : ±0.5°	Calculated Mass : Not Available grams
		This is issued in strict confidence on condition that it is not used as a basis for manufacture or sale and that it is not copied printed or disclosed to a third party either wholly or in part without the prior written consent of ITT Corporation © 15-Jan-09 All rights reserved.		Surface Finish	Title
		ITT JAYS CLOSE, VIABLES INDUSTRIAL ESTATE, BASINGSTOKE UK RG22 4BA		✓ Original Scale 1:1	SNAPLOCK - PANEL FEMALE INSULATOR WITH M12 THREADED POST. Drg No. CU078217-3XXX Sheet 1 of 1
A BAS10098 Rev ECO / DCN Details	JS Drawn	15-Jan-09 Date	--- Chk'd	Ref	DO NOT SCALE / IF IN DOUBT ASK

2-4-10-08 Rev E

A

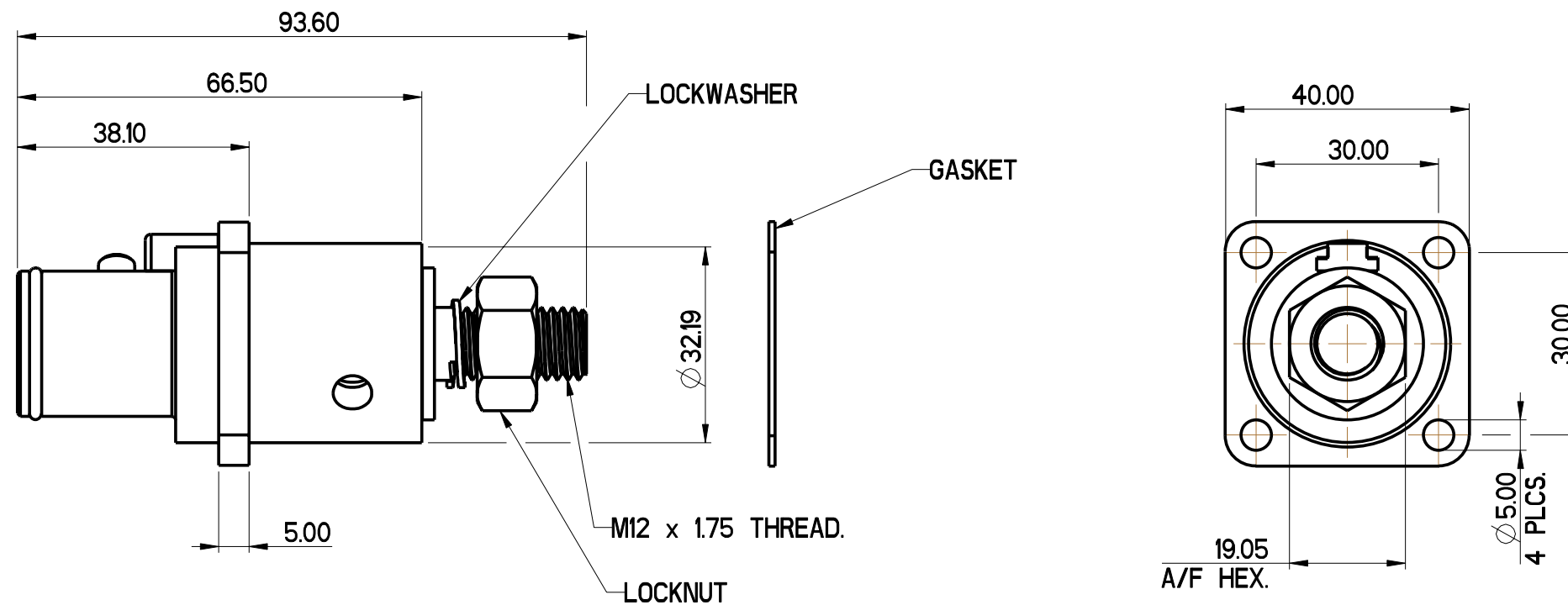
B

C

D

E

2-4-08 Rev E



PART NUMBER CODE STRUCTURE.

SNPM - P - TP - XX

COLOUR CODE:-

(R = Red, BK = Black, Y = Yellow, GN = Green,  
BL = Blue, BN = Brown, GR = Grey, W = White).

NOTE

1. DIMENSIONS ARE NOMINAL UNLESS STATED OTHERWISE.

<p>3rd ANGLE PROJECTION</p>	Material	Drawing Tolerance Unless Otherwise Stated		Dimensions are in mm	Total Vol : 0.000 mm <sup>3</sup>
	Finish	Metric	Imperial	Angles	Total Surf Area : mm <sup>2</sup>
Unless Otherwise Stated Remove Burrs and Break Sharp Edges 0.13 mm max.	Treatment	X : ±0.40 XX : ±0.20 XXX : ±0.10	X or XX : ±0.020 XXX : ±0.010 XXXX : ±0.005	X° : ±2° XX° : ±0.5°	Calculated Mass : Not Available grams
		<p>This is issued in strict confidence on condition that it is not used as a basis for manufacture or sale and that it is not copied printed or disclosed to a third party either wholly or in part without the prior written consent of ITT Corporation © 13-Jan-09 All rights reserved.</p>		<p>ITT JAYS CLOSE, VIABLES INDUSTRIAL ESTATE, BASINGSTOKE UK. RG22 4BA.</p>	Title
A BAS10098	JS	13-Jan-09	----		SNAPLOCK - PANEL MALE INSULATOR WITH M12 THREADED POST.
Rev ECO / DCN Details	Drawn	Date	Chk'd	Ref	Drg No. CU078217-2XXX
				DO NOT SCALE / IF IN DOUBT ASK	Original Scale 1:1 Sheet 1 of 1